

**Description**

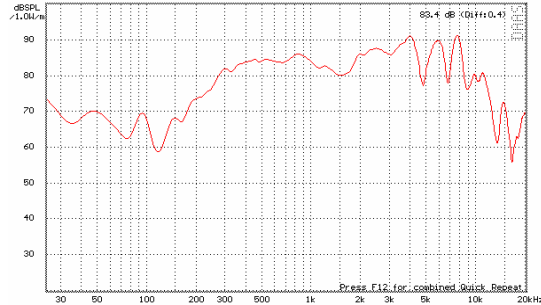
**CMS50RA7.9-50N0.5-1B340-C03W150R:**

Chinasound Micro Speaker 50mm length, Round ABS frame, 7.9mm height – 50 ohm rated impedance, NdFeB magnet, 0.5W rated power – type 1 Black cone, 340 Hz rated frequency – Connector 50#(A2001), Wire 150mm, RoHS compliance

- ◆ RoHS compliance
- ◆ Water-proof
- ◆ Flame Retardant Plastic 94-HB

**Picture**

**Frequency Response Curve** Tested by DAAS

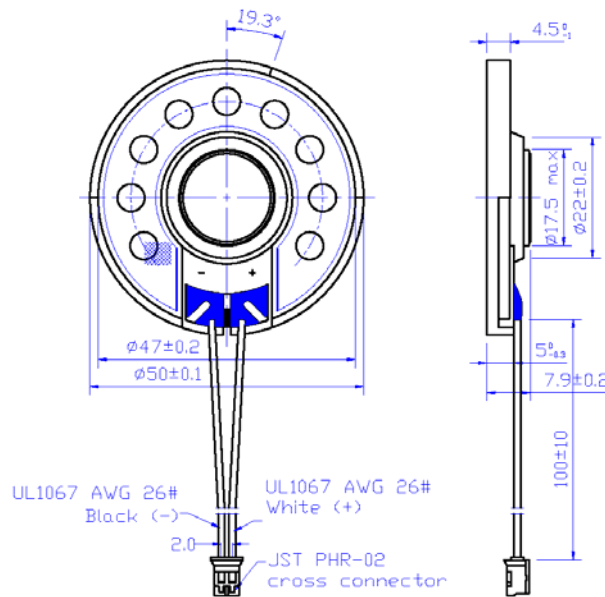


**Specification**

<p>Rated Impedance Rated Power Max. Power Resonant Frequency Frequency Range Sound Pressure Level Operating Temperature Storage Temperature Termination Construction Materials Weight (Typical) Reliability</p>	<p>Description Case Diaphragm</p> <p>*Buzzes &amp; Rattles *Load Test *High Temperature *Low Temperature *Humidity *Thermal Shock *Vibration *Soldering Heat Resistance **Solderability</p>	<p>50+/-15% ohm (Other Rated Impedance is available.) 0.5 W 1 W 340+/-60 Hz fo ~ 4500 Hz 85+/-3 dB 1W1m(Average of SPL values at 800, 1000, 1200 &amp; 1500 Hz.) -30 °C to +70 °C -40 °C to +70 °C 2.54mm connector 2510HC, UL1571 AWG26# Wires, Red(+) &amp; Black(-) Plastic, ABS 757 Black Mylar 15 g Must be normal at 4V(=0.5W) sine wave 1W white noise for 96hrs no function at +70 +/-2 °C for 96 hours, function at +70+/-2 °C for 16 hours, no function at -40+/-2 °C for 96 hours, function at -30+/-2 °C for 16 hours, +40+/-2 °C, 90 ~ 95% R.H. for 48hrs -30+/-2 °C, 30min→+20 °C,15min,→+70+/-2 °C, 30min→+20 °C,15min, 5 cycles 1.5mm with 10 to 50Hz of vibration frequency to each of 3 perpendicular direction for 2 hrs Pins are immersed up to 1.5mm from sounder's body in solder bath of 350+/-5 °C for 3±0.5 seconds or 260+/-5 °C for 10+/-1 seconds Lead terminals are immersed in rosin for 5 seconds and then immersed in solder bath of 350+/-5 °C for 3+/-0.5 seconds. For a period of one (1) year from date of manufacture under normal operations * All specifications must be satisfied after the test (Recovery:2 to 4 hrs of recovery under the standard condition after the removal from test chamber). **90% min. soldering pads shall be with solder.(except the edge of pad)</p>
---	---	--

**Warranty**

**Dimensions ( Unit: mm )**



All specifications are subject to change without notice

