

Description

CMS50R7-8N1-2B350R:

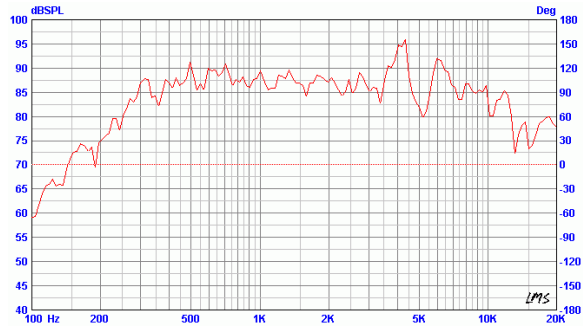
Chinasound Micro Speaker 50mm diameter, Round metal frame, 7mm height - 8 ohm rated impedance, NdFeB magnet, 1W rated power – type 1 Transparent cone, 350 Hz rated frequency, RoHS complaint

- ◆ RoHS compliant
- ◆ Water-proof
- ◆ Wide frequency range

Picture



Frequency Response Curve Tested by LMS at 1W 0.5m



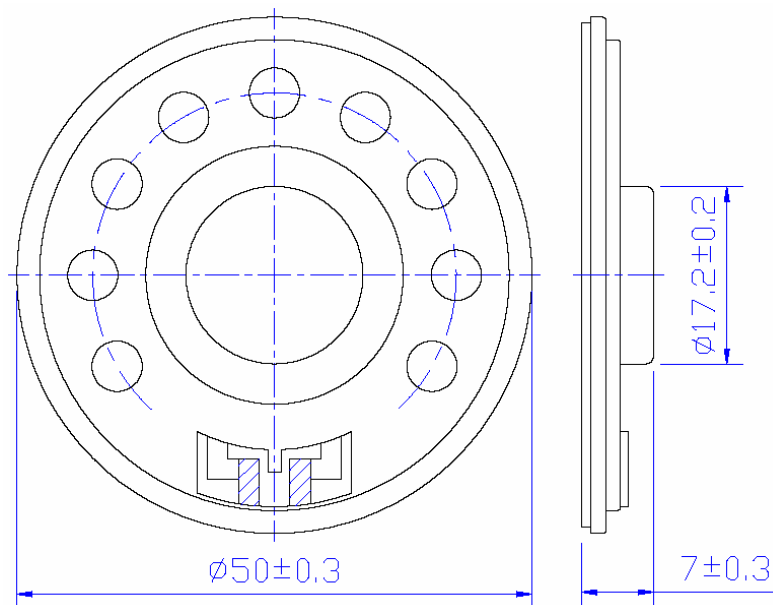
Specification

Rated Impedance	8+/-15% ohm (Other Rated Impedance is available.)
Rated Power	1.0 W
Max. Power	1.5 W
Resonant Frequency	350+/-20% Hz
Frequency Range	fo ~ 12000 Hz
Sound Pressure Level	82+/-3 dB 1W1m (Average of SPL values at 800, 1000, 1200 & 1500 Hz.)
Operating Temperature	-40°C to +70°C
Storage Temperature	-40°C to +70°C
Termination	PCB
Construction Materials	Case Metal Diaphragm Black Mylar
Weight (Typical)	13.5 g
Reliability	Must be normal at 2.83V(=1.0W) sine wave 1.0W white noise for 96hrs no function at +70 +/-2°C for 96 hours, function at +70+/-2°C for 16 hours, no function at -40+/-2°C for 96 hours, function at -40+/-2°C for 16 hours, +40+/-2°C°, 90 ~ 95% R.H. for 48hrs -40+/-2°C, 30min→+20°C,15min,→+70+/-2°C, 30min→+20°C,15min, 5 cycles 1.5mm with 10 to 50Hz of vibration frequency to each of 3 perpendicular direction for 2 hrs Pins are immersed up to 1.5mm from sounder's body in solder bath of 350+/-5 °C for 3±0.5 seconds or 260+/-5 °C for 10+/-1 seconds Lead terminals are immersed in rosin for 5 seconds and then immersed in solder bath of 350+/-5 °C for 3+/-0.5 seconds.
	*Buzzes & Rattles
	*Load Test
	*High Temperature
	*Low Temperature
	*Humidity
	*Thermal Shock
	*Vibration
	*Soldering Heat Resistance
	**Solderability

Warranty

* All specifications must be satisfied after the test (Recovery:2 to 4 hrs of recovery under the standard condition after the removal from test chamber).
**90% min. soldering pads shall be with solder.(except the edge of pad)

Dimensions (Unit: mm)



All specifications are subject to change without notice