

Description

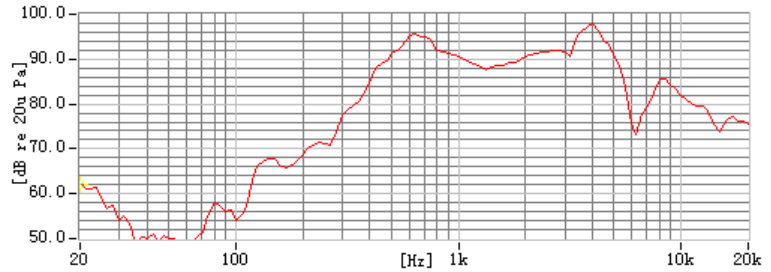
Chinasound Micro Speaker 40mm diameter, Round metal frame, 5mm height, type C (coil with paper frame) - 4 ohm rated impedance, NdFeB magnet, 1W rated power – type 2, Black Mylar cone, 600 Hz rated frequency, RoHS compliant

- ◆ RoHS compliant
- ◆ Water-proof
- ◆ Small size

Picture



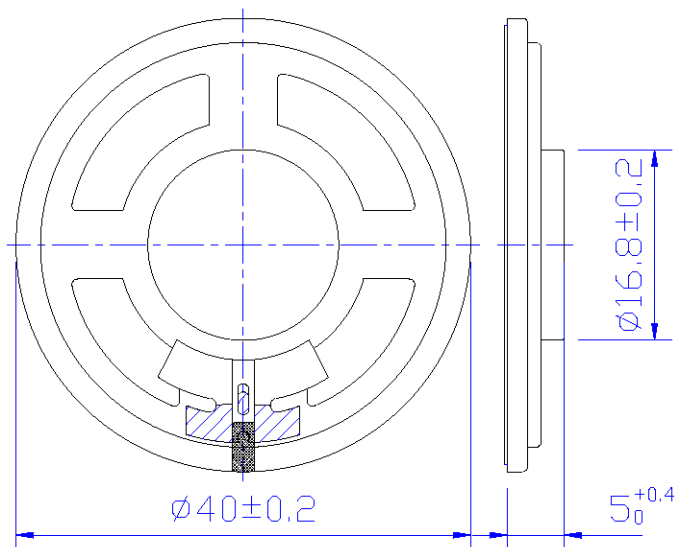
Frequency Response Curve Tested by Sound Check 6.0



Specification

Rated Impedance	4+/-15% ohm (Other Rated Impedance is available.)
Rated Power	1 W
Max. Power	1.5 W
Resonant Frequency	600+/-20% Hz
Frequency Range	fo ~ 5,000 Hz
Sound Pressure Level	95/-3 dB 1W0.5m (Average of SPL values at 800, 1000, 1200 & 1500 Hz.)
Operating Temperature	-40°C to +70°C
Storage Temperature	-40°C to +70°C
Termination	PCB
Construction Materials	Case ABS 757 Diaphragm Transparent Mylar
Weight (Typical)	9g
Reliability	Must be normal at 2V(=1W) sine wave 1W white noise for 96hrs no function at +70 +/-2°C for 96 hours, function at +70+/-2°C for 16 hours, no function at -40+/-2°C for 96 hours, function at -40+/-2°C for 16 hours, +40+/-2°C, 90 ~ 95% R.H. for 48hrs -40+/-2°C, 30min→+20°C,15min,→+70+/-2°C, 30min→+20°C,15min, 5 cycles 1.5mm with 10 to 50Hz of vibration frequency to each of 3 perpendicular direction for 2 hrs For a period of one (1) year from date of manufacture under normal operations
Warranty	* All specifications must be satisfied after the test (Recovery: 2 to 4 hrs of recovery under the standard condition after the removal from test chamber).

Dimensions (Unit: mm)



All specifications are subject to change without notice

Composed by: Guo J/100723 Checked by: Gong YS, Zhu YC/100723 Approved by: Wang Z/100723



CHANGZHOU CHINASOUND ELECTRONICS CO., LTD.
 Tel: +86-519-86182518 Fax: +86-519-86182519
<http://www.chinasound.com>
 email: csound@jsmail.com.cn

Revisions History

Version Number	Description	Name
100723	Original, CMS40R5C-4N1-2B600R	Guo Jun

Composed by: Guo J/100723 Checked by: Gong YS, Zhu YC/100723 Approved by: Wang Z/100723



CHANGZHOU CHINASOUND ELECTRONICS CO., LTD.
Tel: +86-519-86182518 Fax: +86-519-86182519
<http://www.chinasound.com>
email: csound@jsmail.com.cn