

**Description**

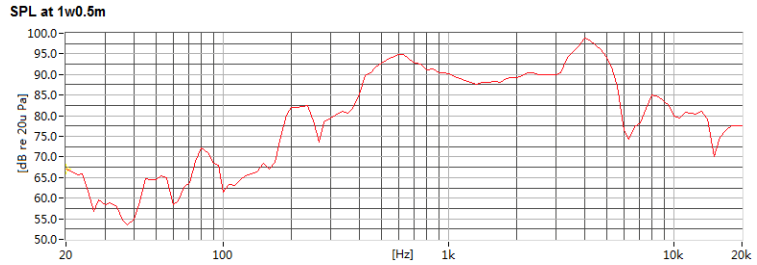
Chinasound Micro Speaker 40mm diameter, Round metal frame, 5mm height, 16 ohm rated impedance, NdFeB magnet, 1W rated power – type 2, Black Mylar cone, 600 Hz rated frequency, RoHS compliant

- ◆ RoHS compliant
- ◆ Water-proof
- ◆ Small size

**Picture**



**Frequency Response Curve** Tested by Sound Check 6.0 at 1W0.5m



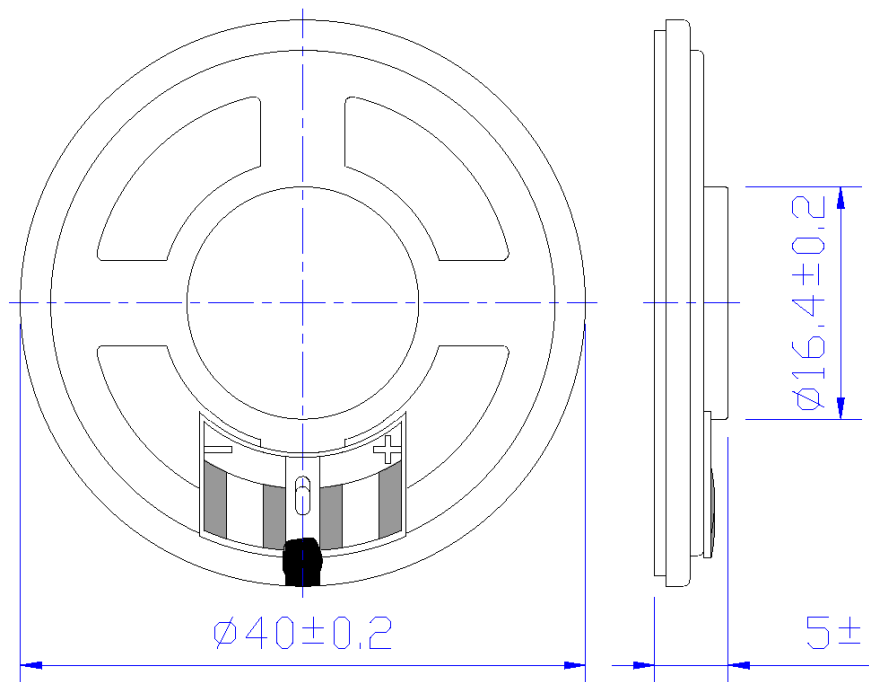
**Specification**

Rated Impedance	16+/-15% ohm (Other Rated Impedance is available.)
Rated Power	1 W
Max. Power	1.5 W
Resonant Frequency	600+/-20% Hz
Frequency Range	fo ~ 5000 Hz
Sound Pressure Level	92+/-3 dB 1W0.5m (Average of SPL values at 800, 1000, 1200 & 1500 Hz.)
THD	10% max. at 1W 0.1m 1KHz
Operating Temperature	-40 °C to +70 °C
Storage Temperature	-40 °C to +70 °C
Termination	PCB
Construction Materials	Case: Metal, Zn plated Diaphragm: Mylar, Black color
Weight (Typical)	9.2g
Reliability	*Buzzes & Rattles: Must be normal at 4V(=1W) sine wave *Load Test: 1W white noise for 96hrs *High Temperature: no function at +70 +/-2 °C for 96 hours, function at +70+/-2 °C for 16 hours, *Low Temperature: no function at -40+/-2 °C for 96 hours, function at -40+/-2 °C for 16 hours, *Humidity: +40+/-2°C, 90 ~ 95% R.H. for 48hrs *Thermal Shock: -40+/-2 °C, 30min→+20 °C,15min,→+70+/-2 °C, 30min→+20 °C,15min, 5 cycles *Vibration: 1.5mm with 10 to 50Hz of vibration frequency to each of 3 perpendicular direction for 2 hrs

**Warranty**

\* All specifications must be satisfied after the test (Recovery: 2 to 4 hrs of recovery under the standard condition after the removal from test chamber).

**Dimensions** ( Unit: mm )



All specifications are subject to change without notice



## Revisions History

Version Number	Description	Name
100721	Original, CMS40R5C-16N1-2B600R	Guo Jun
100915	Correct PN to CMS40R5-16N1-2B600R and dimensions SPL is adjusted from 95+/-3dB to 92+/-3dB THD is added	Guo Jun

Composed by: Guo J/100915    Checked by: Gao L, Gong YS, Zhu YC/100915    Approved by: Wang Z/100915

**ChinaSound**

**CHANGZHOU CHINASOUND ELECTRONICS CO., LTD.**

Tel: +86-519-86182518    Fax: +86-519-86182519

<http://www.chinasound.com>  
email: csound@jmail.com.cn