

Description

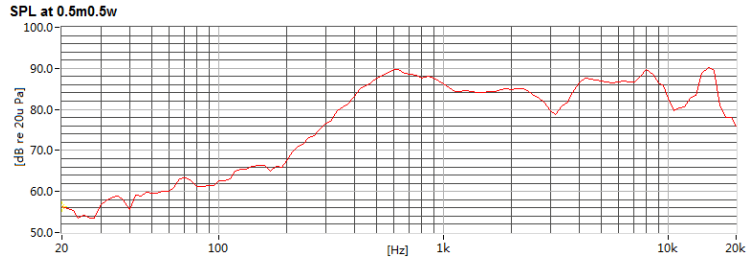
Chinasound Micro Speaker 36mm diameter, Round metal frame, 4.5mm height – 64 ohm rated impedance, NdFeB magnet, 0.5W rated power – type 2 Black cone, 450 Hz rated frequency, RoHS compliant

- ◆ RoHS complaint
- ◆ Water-proof
- ◆ Small height

Picture



Frequency Response Curve Tested by Sound Check



Specification

- Rated Impedance
- Rated Power
- Max. Power
- Resonant Frequency
- Frequency Range
- Sound Pressure Level
- Operating Temperature
- Storage Temperature
- Termination
- Construction Materials

- Description
- Case
- Diaphragm

- Weight (Typical)
- Reliability

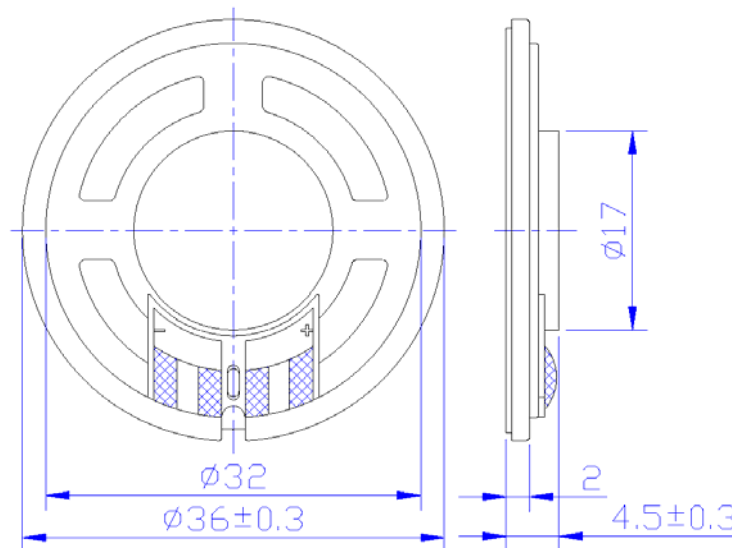
- *Buzzes & Rattles
- *Load Test
- *High Temperature
- *Low Temperature
- *Humidity
- *Thermal Shock
- *Vibration
- *Soldering Heat Resistance
- **Solderability

64+/-15% ohm (Other Rated Impedance is available.)
 0.5 W
 1 W
 450+/-20% Hz
 fo ~ 10,000 Hz
 85+/-3 dB 1W1m(Average of SPL values at 800, 1000, 1200 & 1500 Hz.)
 -30 °C to +70 °C
 -40 °C to +70 °C
 PCB
 Metal
 Black Mylar
 8.5 g
 Must be normal at 4V(=0.5W) sine wave
 1W white noise for 96hrs
 no function at +70 +/-2 °C for 96 hours, function at +70+/-2 °C for 16 hours,
 no function at -40+/-2 °C for 96 hours, function at -30+/-2 °C for 16 hours,
 +40+/-2 °C, 90 ~ 95% R.H. for 48hrs
 -30+/-2 °C, 30min→+20 °C,15min,→+70+/-2 °C, 30min→+20 °C,15min, 5 cycles
 1.5mm with 10 to 50Hz of vibration frequency to each of 3 perpendicular direction for 2 hrs
 Pins are immersed up to 1.5mm from sounder's body in solder bath of 350+/-5 °C for 3+/-0.5 seconds or 260+/-5 °C for 10+/-1 seconds
 Lead terminals are immersed in rosin for 5 seconds and then immersed in solder bath of 350+/-5 °C for 3+/-0.5 seconds.

Warranty

For a period of one (1) year from date of manufacture under normal operations
 * All specifications must be satisfied after the test (Recovery:2 to 4 hrs of recovery under the standard condition after the removal from test chamber).
 **90% min. soldering pads shall be with solder.(except the edge of pad)

Dimensions (Unit: mm)



All specifications are subject to change without notice

Composed by: Guo J/100324 Checked by: Gao L, Gong YS, Zhu YC/100324 Approved by: Wang Z/100324



CHANGZHOU CHINASOUND ELECTRONICS CO., LTD.

Tel: +86-519-86182518 Fax: +86-519-86182519

<http://www.chinasound.com>

email: csound@jstmail.com.cn

Revisions History

Version Number	Description	Name
100324	Original, CMS36R4.5-64N0.5-2B450R	Guo Jun

Composed by: Guo J/100324 Checked by: Gao L, Gong YS, Zhu YC/100324 Approved by: Wang Z/100324

ChinaSound

CHANGZHOU CHINASOUND ELECTRONICS CO., LTD.

Tel: +86-519-86182518 Fax: +86-519-86182519

<http://www.chinasound.com>
email: csound@jmail.com.cn