

**Description**

**CMS29RA5-16N0.15-2T550R:**

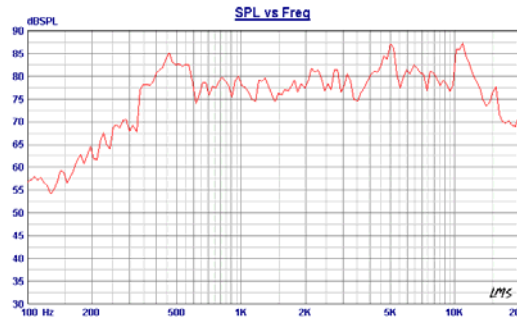
Chinasound Micro Speaker 29mm diameter, Round ABS frame, 5mm height - 16 ohm rated impedance, NdFeB magnet, 0.15W rated power - type 2, Transparent Mylar cone, 550 Hz rated frequency, RoHS compliant

- ◆ RoHS compliant
- ◆ Water-proof
- ◆ Small size

**Picture**



**Frequency Response Curve** Tested by LMS at 0.15W 0.5m

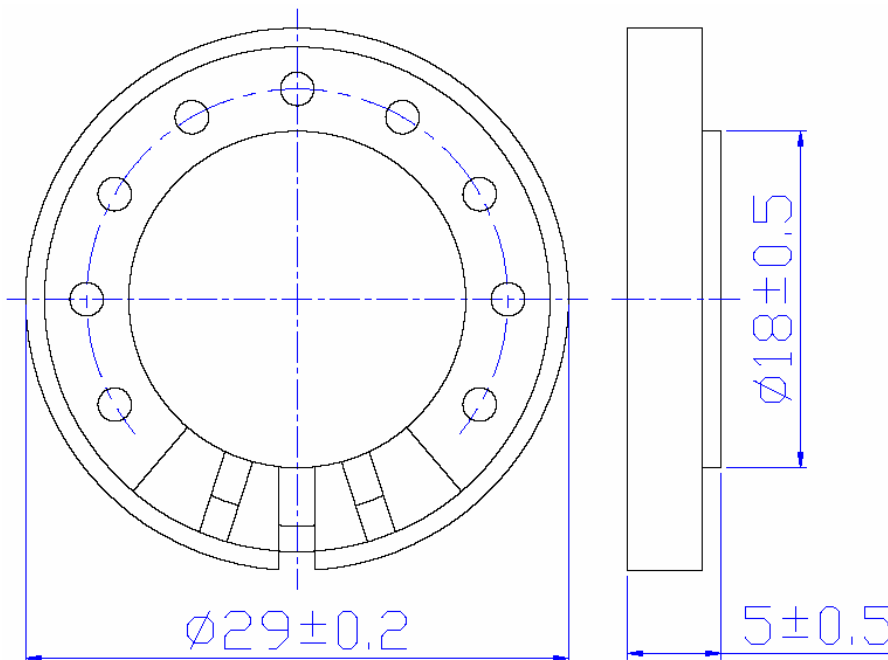


**Specification**

Rated Impedance	16+/-15% ohm (Other Rated Impedance is available.)
Rated Power	0.15 W
Max. Power	0.3 W
Resonant Frequency	550+/-20% Hz
Frequency Range	fo ~ 15000 Hz
Sound Pressure Level	78+/-3 dB 1W1m(Average of SPL values at 800, 1000, 1200 & 1500 Hz.)
Operating Temperature	-20°C to +60°C
Storage Temperature	-30°C to +70°C
Termination	PCB
Construction Materials	Case Diaphragm
Weight (Typical)	
Reliability	<ul style="list-style-type: none"> <li>*Buzzes &amp; Rattles</li> <li>*Load Test</li> <li>*High Temperature</li> <li>*Low Temperature</li> <li>*Humidity</li> <li>*Thermal Shock</li> <li>*Vibration</li> </ul>
Warranty	<p>Must be normal at 1.55V(=0.15W) sine wave                      0.15W white noise for 96hrs                      no function at +70 +/-2°C for 96 hours, function at +60+/-2°C for 16 hours,                      no function at -30+/-2°C for 96 hours, function at -20+/-2°C for 16 hours,                      +40+/-2°C°, 90 ~ 95% R.H. for 48hrs                      -20+/-2°C, 30min→+20°C,15min,→+60+/-2°C, 30min→+20°C,15min, 5 cycles                      1.5mm with 10 to 50Hz of vibration frequency to each of 3 perpendicular direction for 2 hrs                      For a period of one (1) year from date of manufacture under normal operations</p>

\* All specifications must be satisfied after the test (Recovery:2 to 4 hrs of recovery under the standard condition after the removal from test chamber).

**Dimensions ( Unit: mm )**



All specifications are subject to change without notice