

Description

CMS28R7-32N0.6-1B650-C09WxxxR:

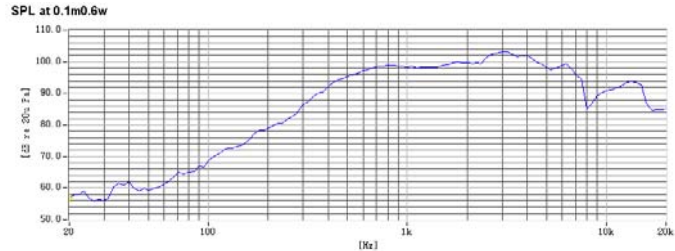
Chinasound Micro Speaker 28mm diameter, Round frame, 7mm height - 32 ohm rated impedance, NdFeB magnet, 0.6W rated power – type 1 Black cone, 650 Hz rated frequency – Connector 09#(A1251-2P), Wire length x(=38.1, 76.2, 101.6 or 254)mm, RoHS compliant

- ◆ RoHS compliant
- ◆ Water-proof
- ◆ Small size

Picture



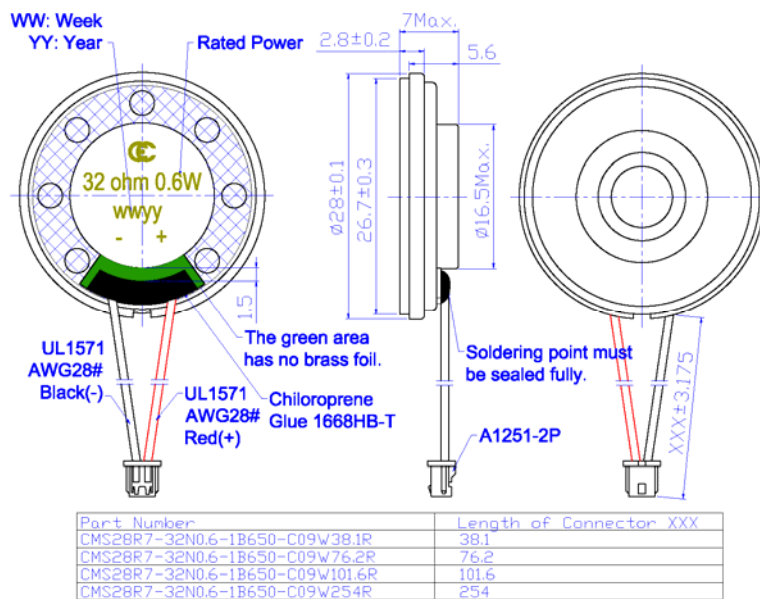
Frequency Response Curve tested by Sound Check 6.0 at 0.6W 0.1m



Specification

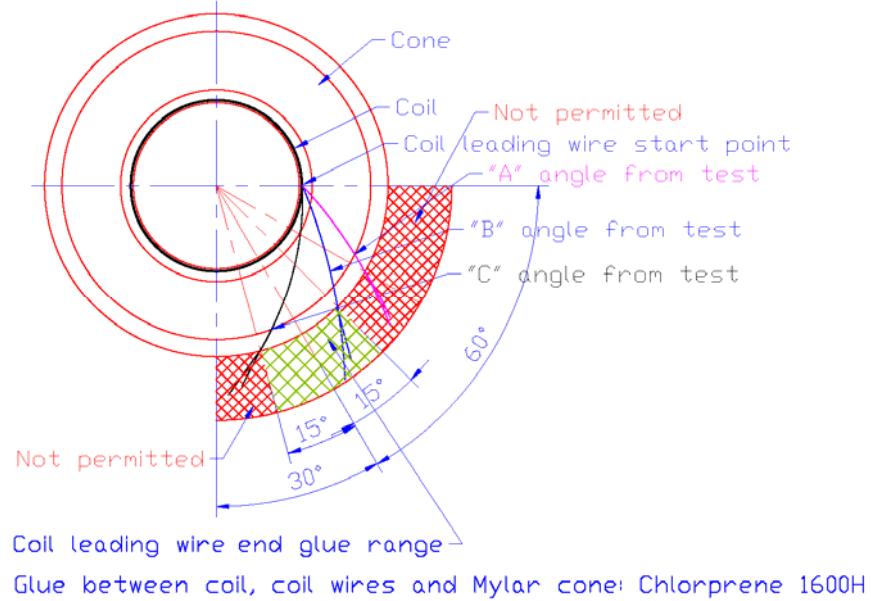
Rated Impedance	32+/-10% ohm
Rated Power	0.6 W
Max. Power	1.2 W
Resonant Frequency	542Hz Min. , 650Hz Norm.; 780Hz Max.
Frequency Range	fo ~ 5000 Hz, up limit freq: SPL fall -10dB
Sound Pressure Level	97+/-3 dB 0.6W10cm (Average of SPL values at 1000, 1200, 1500 & 2000 Hz.)
Distortion	5% Norm.
Operating Temperature	-30°C to +70°C
Storage Temperature	-40°C to +70°C
Termination	Description 1.25mm connector A1251-2P, UL1571 AWG28# Wires, Red(+)& Black(-)
Construction Materials	Pull Force Speaker wire / connector pull force: Both wires: 0.7kg; Single Wire: 0.5kg
	Case Metal, Zn plated
	Diaphragm Black Mylar
Coil Wire	SHTW-FY 0.05mm by Changzhou Jinte, Load:70g min. at 10% Elongation
Weight (Typical)	9.6 g
Reliability	*Buzzes & Rattles Must be normal at 0.6W (=4.38 Vrms for 32 ohm) sine wave
	*Load Test 0.6W white noise for 96hrs
	*High Temperature no function at +70 +/-2°C for 96 hours, function at +70+/-2°C for 96 hours,
	*Low Temperature no function at -40+/-2°C for 96 hours, function at -30+/-2°C for 96 hours,
	*Humidity +40+/-2C°, 90 ~ 95% R.H. for 48hrs
	*Thermal Shock -30+/-2°C, 30min→+20°C,15min,→+70+/-2°C, 30min→+20°C,15min, 5 cycles
	*Vibration 1.5mm with 10 to 50Hz of vibration frequency to each of 3 perpendicular direction for 2 hrs
Warranty	For a period of one (1) year from date of manufacture under normal operations
	* All specifications must be satisfied after the test (Recovery:2 to 4 hrs of recovery under the standard condition after the removal from test chamber).
	**90% min. soldering pads shall be with solder.(except the edge of pad)

Dimensions (Unit: mm)

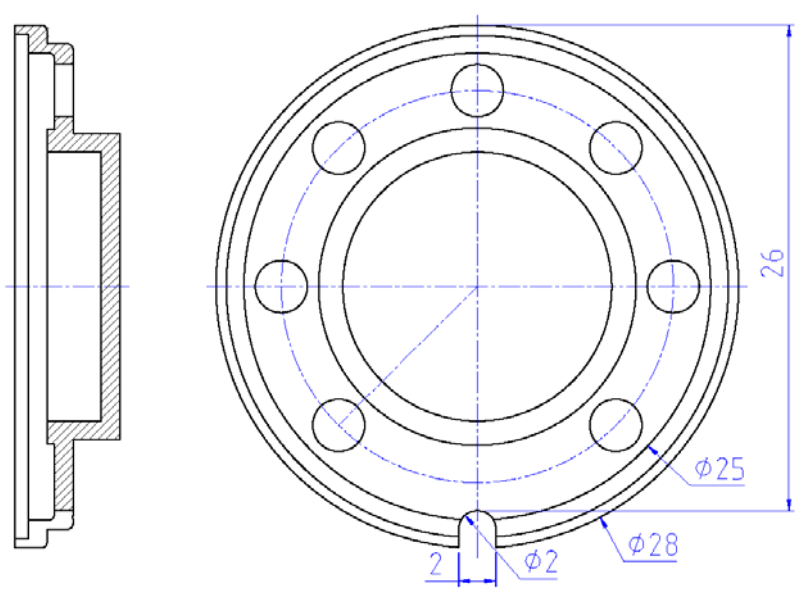


Any changes to this specification must be approved in writing by engineering prior to change

Coil glue routing



U slot of frame for coil leading wires dimensions (mm)



Glue used in the speaker

- 1) Anti-dust Net and Frame: 1600H
- 2) Magnet, Steel Plate and Frame: Reactive Acrylic glue Y358 A & B components
- 3) PCB and Frame: 1600H
- 4) Glue on the leading wires gate of Frame: Silicon Rubber glue HC703
- 5) Coil, Mylar Cone and Frame: Chlorprene glue 1600H
- 6) Gasket, Mylar Cone and Frame: Chlorprene glue Henkel Pattex
- 7) Glue to seal coil wire through frame and PCB: Chlorprene glue 316-B
- 8) Glue to seal wires soldering on PCB: Chlorprene glue 316-B

Any changes to this specification must be approved in writing by engineering prior to change