

CMS15R3-8N0.2-1T600R

Version: 061025

Description

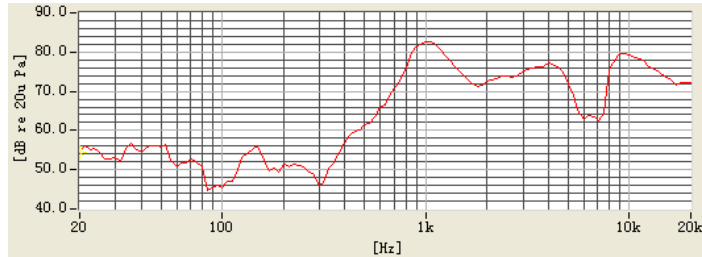
Chinasound Micro Speaker 20mm diameter, Round ABS frame, 4mm height - 8 ohm rated impedance, NdFeB magnet, 0.2W rated power – type 1 Transparent Mylar cone, 600 Hz rated frequency, RoHS compliant

- ◆ RoHS compliant
- ◆ Water-proof
- ◆ Small size

Picture



Frequency Response Curve Tested by Sound Check at 0.2W 0.5m

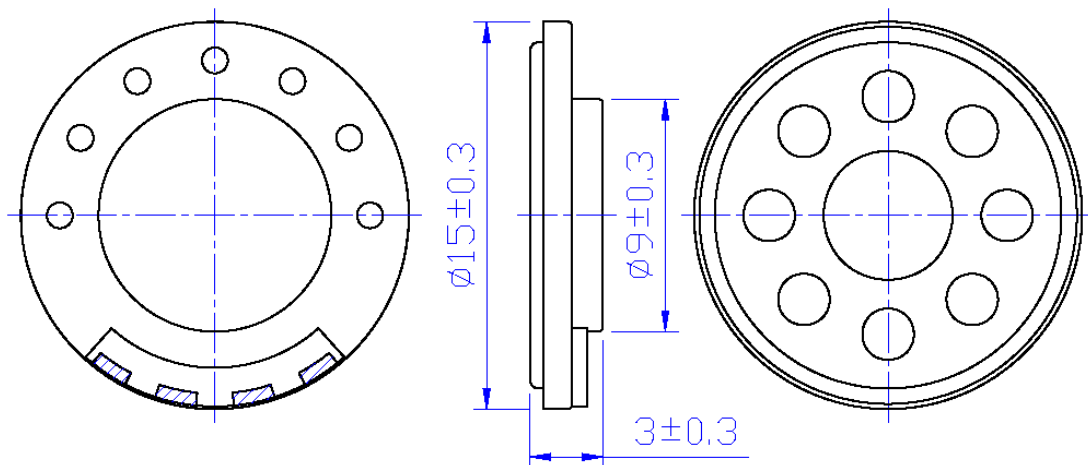


Specification

Rated Impedance	8+/-15% ohm (Other Rated Impedance is available.)
Rated Power	0.2 W
Max. Power	0.3 W
Resonant Frequency	600+/-20% Hz
Frequency Range	fo ~ 3500 Hz
Sound Pressure Level	78+/-3 dB 1W1m(Average of SPL values at 800, 1000, 1200 & 1500 Hz.)
Operating Temperature	-20°C to +60°C
Storage Temperature	-30°C to +70°C
Termination	PCB
Construction Materials	Case Metal Diaphragm Transparent Mylar
Weight (Typical)	
Reliability	<ul style="list-style-type: none"> *Buzzes & Rattles *Load Test *High Temperature *Low Temperature *Humidity *Thermal Shock *Vibration
Warranty	<p>Must be normal at 1.26V(=0.2W) sine wave 0.2W white noise for 96hrs no function at +70 +/-2°C for 96 hours, function at +60+/-2°C for 16 hours, no function at -30+/-2°C for 96 hours, function at -20+/-2°C for 16 hours, +40+/-2°C°, 90 ~ 95% R.H. for 48hrs -20+/-2°C, 30min→+20°C,15min,→+60+/-2°C, 30min→+20°C,15min, 5 cycles 1.5mm with 10 to 50Hz of vibration frequency to each of 3 perpendicular direction for 2 hrs For a period of one (1) year from date of manufacture under normal operations</p>

* All specifications must be satisfied after the test (Recovery:2 to 4 hrs of recovery under the standard condition after the removal from test chamber).

Dimensions (Unit: mm)



All specifications are subject to change without notice