

Description

CMB74A24A

Chinasound Mechanical Buzzer 73.2(<74)mm diameter, type A (=41.5mm depth) , 24VAC rated voltage

- ◆ Waterproof
- ◆ Low Frequency

Picture

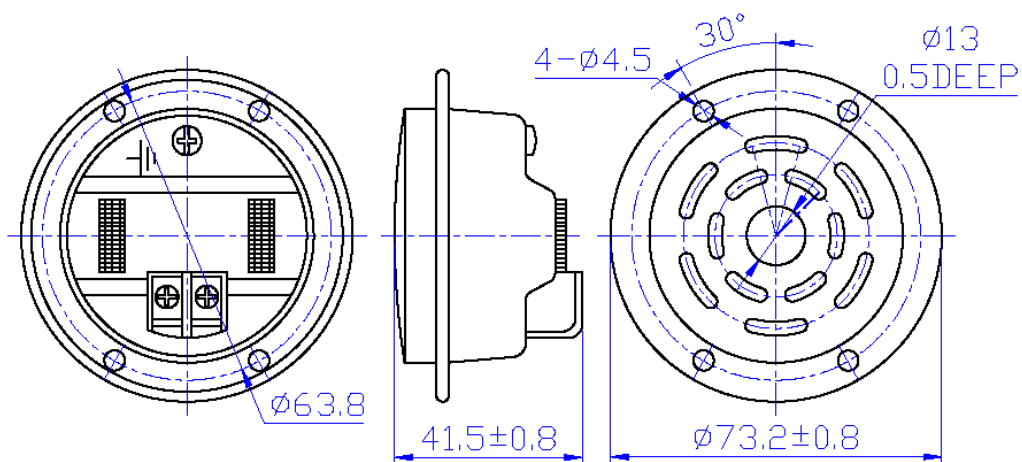


Specification

Rated Voltage	24 VAC														
Operating Voltage	18 ~ 30 VAC														
Rated Current	600 mA max. at 24 VAC														
Sound Output	100 dB min. at 24 VAC, 100cm														
Operating Temperature	-30°C to +70 °C														
Storage Temperature	-40°C to +80 °C														
Termination	Screw														
Construction Materials	<table border="0"> <tr> <td>Description</td> <td>Maximum of 9.8N load pull test, applied to each terminal in axial direction for 10 seconds</td> </tr> <tr> <td>Termination Strength</td> <td></td> </tr> <tr> <td>Case</td> <td>Metal, Zn plated</td> </tr> <tr> <td>Diaphragm</td> <td>Spring Steel</td> </tr> </table>	Description	Maximum of 9.8N load pull test, applied to each terminal in axial direction for 10 seconds	Termination Strength		Case	Metal, Zn plated	Diaphragm	Spring Steel						
Description	Maximum of 9.8N load pull test, applied to each terminal in axial direction for 10 seconds														
Termination Strength															
Case	Metal, Zn plated														
Diaphragm	Spring Steel														
Weight (Typical)	g														
Reliability	<table border="0"> <tr> <td>*Life Test</td> <td>At 24 VAC in room temperature continuously for 24 hours</td> </tr> <tr> <td>*High Temperature</td> <td>no function at +50+/-2 °C for 96 hours, function at +50+/-2 °C for 24 hours,</td> </tr> <tr> <td>*Low Temperature</td> <td>no function at -20+/-2 °C for 96 hours, function at -20+/-2 °C for 24 hours,</td> </tr> <tr> <td>*Humidity</td> <td>+40+/-2 °C, 90-95%RH for 96 hours</td> </tr> <tr> <td>*Thermal Shock</td> <td>-30+/-2 °C, 30min→+20 °C,15min,→+70+/-2 °C, 30min→+20 °C,15min, 5 cycles</td> </tr> <tr> <td>*Vibration</td> <td>1.5mm with 10 to 50Hz of vibration frequency to each of 3 perpendicular direction for 2 hrs</td> </tr> <tr> <td>*Shock</td> <td>98m/s²(=10g) shock for each mutually perpendicular directions, half sine wave, 3 times each</td> </tr> </table>	*Life Test	At 24 VAC in room temperature continuously for 24 hours	*High Temperature	no function at +50+/-2 °C for 96 hours, function at +50+/-2 °C for 24 hours,	*Low Temperature	no function at -20+/-2 °C for 96 hours, function at -20+/-2 °C for 24 hours,	*Humidity	+40+/-2 °C, 90-95%RH for 96 hours	*Thermal Shock	-30+/-2 °C, 30min→+20 °C,15min,→+70+/-2 °C, 30min→+20 °C,15min, 5 cycles	*Vibration	1.5mm with 10 to 50Hz of vibration frequency to each of 3 perpendicular direction for 2 hrs	*Shock	98m/s ² (=10g) shock for each mutually perpendicular directions, half sine wave, 3 times each
*Life Test	At 24 VAC in room temperature continuously for 24 hours														
*High Temperature	no function at +50+/-2 °C for 96 hours, function at +50+/-2 °C for 24 hours,														
*Low Temperature	no function at -20+/-2 °C for 96 hours, function at -20+/-2 °C for 24 hours,														
*Humidity	+40+/-2 °C, 90-95%RH for 96 hours														
*Thermal Shock	-30+/-2 °C, 30min→+20 °C,15min,→+70+/-2 °C, 30min→+20 °C,15min, 5 cycles														
*Vibration	1.5mm with 10 to 50Hz of vibration frequency to each of 3 perpendicular direction for 2 hrs														
*Shock	98m/s ² (=10g) shock for each mutually perpendicular directions, half sine wave, 3 times each														
Warranty	For a period of one (1) year from date of manufacture under normal operations														

* All specifications must be satisfied after the test (Recovery:2 to 4 hrs of recovery under the standard condition after the removal from test chamber).

Dimensions (Unit: mm)



All specifications are subject to change without notice