

**Description**

**CMB26B06P**

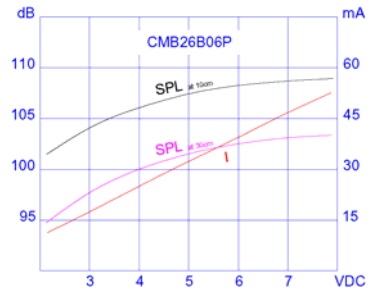
Chinasound Mechanical Buzzer 26mm length, type B (=26mm width, 19.7mm height), 12VDC rated voltage, side soldering Pad

- ◆ Small size
- ◆ Low Frequency

**Picture**



**Characteristics**

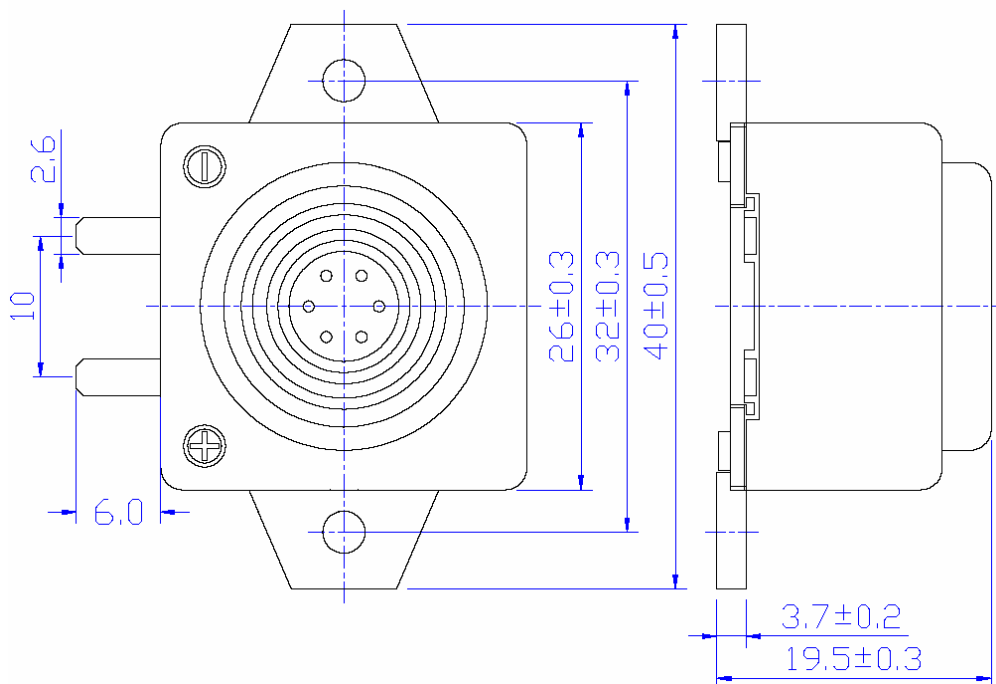


**Specification**

Rated Voltage	6 VDC
Operating Voltage	4 ~ 8 VDC
Rated Current	50 mA max. at 6 VDC
Sound Output	100 dB min. at 6 VDC, 10cm
Operating Temperature	-20°C to +50°C
Storage Temperature	-20°C to +50°C
Termination	Pins, Sn plated
Construction Materials	<p><b>Description</b></p> <p><b>Termination Strength</b></p> <p><b>Case</b></p> <p><b>Diaphragm</b></p> <p>Maximum of 9.8N load pull test, applied to each terminal in axial direction for 10 seconds</p> <p>Plastic, ABS 757</p> <p>Spring Steel</p>
Weight (Typical)	14.2 g
Reliability	<p><b>*Life Test</b></p> <p><b>*High Temperature</b></p> <p><b>*Low Temperature</b></p> <p><b>*Humidity</b></p> <p><b>*Thermal Shock</b></p> <p><b>*Vibration</b></p> <p><b>*Shock</b></p> <p>At 6 VDC in room temperature continuously for 50 hours</p> <p>no function at +50+/-2°C for 96 hours, function at +50+/-2°C for 96 hours,</p> <p>no function at -20+/-2°C for 96 hours, function at -20+/-2°C for 96 hours,</p> <p>+40+/-2°C, 90-95%RH for 96 hours</p> <p>-20+/-2°C, 30min→+20°C, 15min, →+50+/-2°C, 30min→+20°C, 15min, 5 cycles</p> <p>1.5mm with 10 to 50Hz of vibration frequency to each of 3 perpendicular direction for 2 hrs</p> <p>98m/s<sup>2</sup> (=10g) shock for each mutually perpendicular directions, half sine wave, 3 times each</p>
Warranty	For a period of one (1) year from date of manufacture under normal operations

\* All specifications must be satisfied after the test (Recovery:2 to 4 hrs of recovery under the standard condition after the removal from test chamber).

**Dimensions ( Unit: mm )**



All specifications are subject to change without notice