

Description

CMB23A24-W100

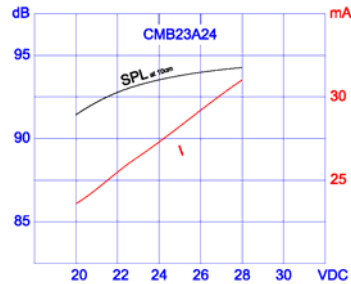
Chinasound Mechanical Buzzer 23mm length, type A(=16mm width,15mm height) , 24VDC rated voltage – Wire length 100mm

- ◆ Small size
- ◆ Low Frequency

Picture



Characteristics



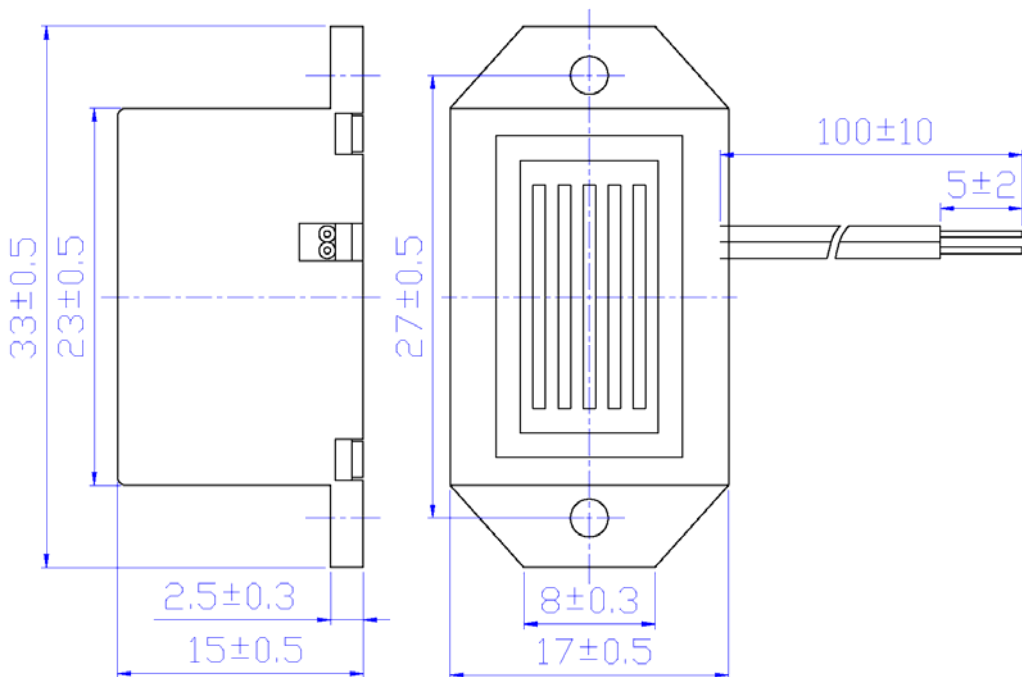
Specification

<p>Rated Voltage Operating Voltage Rated Current Sound Output Operating Temperature Storage Temperature Termination Construction Materials Weight (Typical) Reliability</p>	<p>Description Termination Strength Case Diaphragm *Life Test *High Temperature *Low Temperature *Humidity *Thermal Shock *Vibration *Shock</p>	<p>24 VDC 20 ~ 28 VDC 30 mA max. at 24 VDC 85 dB min. (Typ. 90dB) at 24 VDC, 10cm -20°C to +50 °C -20°C to +50 °C Wire, UL1007 AWG28#, Red(+); Black(-) 100mm length Maximum of 9.8N load pull test, applied to each terminal in axial direction for 10 seconds Plastic, ABS 757 Spring Steel 8.7 g At 12 VDC in room temperature continuously for 50 hours no function at +50+/-2 °C for 96 hours, function at +50+/-2 °C for 96 hours, no function at -20+/-2 °C for 96 hours, function at -20+/-2 °C for 96 hours, +40+/-2 °C, 90-95%RH for 96 hours -20+/-2 °C, 30min→+20 °C,15min,→+50+/-2 °C, 30min→+20 °C,15min, 5 cycles 1.5mm with 10 to 50Hz of vibration frequency to each of 3 perpendicular direction for 2 hrs 98m/s² (=10g) shock for each mutually perpendicular directions, half sine wave, 3 times each For a period of one (1) year from date of manufacture under normal operations</p>
--	--	--

Warranty

* All specifications must be satisfied after the test (Recovery:2 to 4 hrs of recovery under the standard condition after the removal from test chamber).

Dimensions (Unit: mm)



All specifications are subject to change without notice