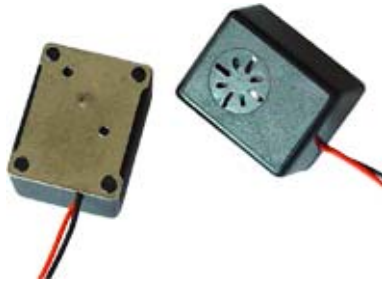


Description

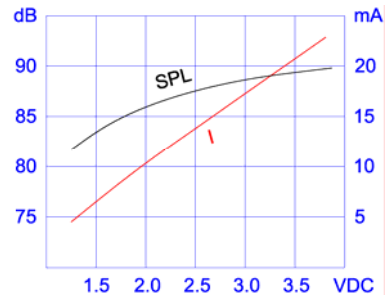
Chinasound Mechanical Buzzer 18mm length, type A(=14mm width,10.5mm height) , 2.5VDC rated voltage – Wire length 26mm

- ◆ Small size
- ◆ Low Frequency

Picture



Characteristics



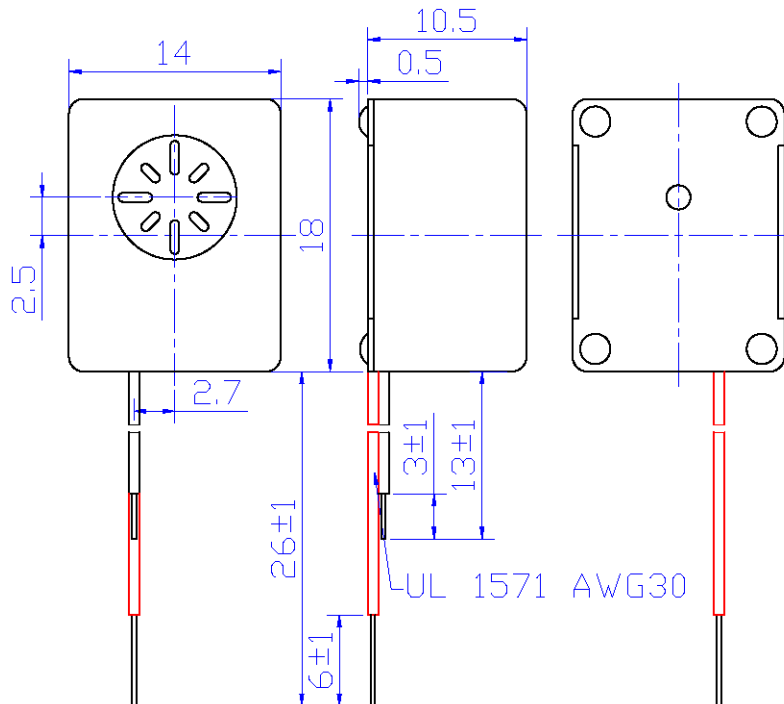
Specification

Rated Voltage	2.5 VDC																
Operating Voltage	1.5 ~ 3.5 VDC																
Rated Current	15 mA max. at 2.5 VDC																
Sound Output	83 dB min. at 2.5 VDC, 10cm																
Operating Temperature	-20°C to +50°C																
Storage Temperature	-20°C to +50°C																
Termination	Wire, UL1571 AWG30#, Red(+) 26mm length, 6mm stripped; Black(-)13mm length, 3mm stripped																
Construction Materials	<table border="1"> <thead> <tr> <th>Description</th> <th>Termination Strength</th> </tr> </thead> <tbody> <tr> <td>Case</td> <td>Maximum of 9.8N load pull test, applied to each terminal in axial direction for 10 seconds</td> </tr> <tr> <td>Diaphragm</td> <td>Plastic, ABS 757</td> </tr> <tr> <td></td> <td>Spring Steel</td> </tr> <tr> <td></td> <td>4.1 g</td> </tr> </tbody> </table>	Description	Termination Strength	Case	Maximum of 9.8N load pull test, applied to each terminal in axial direction for 10 seconds	Diaphragm	Plastic, ABS 757		Spring Steel		4.1 g						
Description	Termination Strength																
Case	Maximum of 9.8N load pull test, applied to each terminal in axial direction for 10 seconds																
Diaphragm	Plastic, ABS 757																
	Spring Steel																
	4.1 g																
Weight (Typical)	4.1 g																
Reliability	<table border="1"> <thead> <tr> <th>Description</th> <th>Termination Strength</th> </tr> </thead> <tbody> <tr> <td>*Life Test</td> <td>At 2.5 VDC in room temperature continuously for 50 hours</td> </tr> <tr> <td>*High Temperature</td> <td>no function at +50+/-2°C for 96 hours, function at +50+/-2°C for 96 hours,</td> </tr> <tr> <td>*Low Temperature</td> <td>no function at -20+/-2°C for 96 hours, function at -20+/-2°C for 96 hours,</td> </tr> <tr> <td>*Humidity</td> <td>+40+/-2°C, 90-95%RH for 96 hours</td> </tr> <tr> <td>*Thermal Shock</td> <td>-20+/-2°C, 30min→+20°C,15min,→+50+/-2°C, 30min→+20°C,15min, 5 cycles</td> </tr> <tr> <td>*Vibration</td> <td>1.5mm with 10 to 50Hz of vibration frequency to each of 3 perpendicular direction for 2 hrs</td> </tr> <tr> <td>*Shock</td> <td>98m/s² (=10g) shock for each mutually perpendicular directions, half sine wave, 3 times each</td> </tr> </tbody> </table>	Description	Termination Strength	*Life Test	At 2.5 VDC in room temperature continuously for 50 hours	*High Temperature	no function at +50+/-2°C for 96 hours, function at +50+/-2°C for 96 hours,	*Low Temperature	no function at -20+/-2°C for 96 hours, function at -20+/-2°C for 96 hours,	*Humidity	+40+/-2°C, 90-95%RH for 96 hours	*Thermal Shock	-20+/-2°C, 30min→+20°C,15min,→+50+/-2°C, 30min→+20°C,15min, 5 cycles	*Vibration	1.5mm with 10 to 50Hz of vibration frequency to each of 3 perpendicular direction for 2 hrs	*Shock	98m/s ² (=10g) shock for each mutually perpendicular directions, half sine wave, 3 times each
Description	Termination Strength																
*Life Test	At 2.5 VDC in room temperature continuously for 50 hours																
*High Temperature	no function at +50+/-2°C for 96 hours, function at +50+/-2°C for 96 hours,																
*Low Temperature	no function at -20+/-2°C for 96 hours, function at -20+/-2°C for 96 hours,																
*Humidity	+40+/-2°C, 90-95%RH for 96 hours																
*Thermal Shock	-20+/-2°C, 30min→+20°C,15min,→+50+/-2°C, 30min→+20°C,15min, 5 cycles																
*Vibration	1.5mm with 10 to 50Hz of vibration frequency to each of 3 perpendicular direction for 2 hrs																
*Shock	98m/s ² (=10g) shock for each mutually perpendicular directions, half sine wave, 3 times each																

Warranty

For a period of one (1) year from date of manufacture under normal operations
 * All specifications must be satisfied after the test (Recovery:2 to 4 hrs of recovery under the standard condition after the removal from test chamber).

Dimensions (Unit: mm)



All specifications are subject to change without notice

Composed by: Guo J/051021 Checked by: Gong YS, Zhu YC/051021 Approved by: Wang Z/051021



CHANGZHOU CHINASOUND ELECTRONICS CO., LTD.

Tel: +86-519-86182518 Fax: 86182519

<http://www.chinasound.com>

email: csound@jsmail.com.cn

Revisions History

Version Number	Description	Name
041011	Original, CMB18A2.5	Guo Jun
051021	Updated to new format, CMB18A2.5-W26	Guo Jun

Composed by: Guo J/051021 Checked by: Gong YS, Zhu YC/051021 Approved by: Wang Z/051021

ChinaSound

CHANGZHOU CHINASOUND ELECTRONICS CO., LTD.

Tel: +86-519-86182518 Fax: 86182519

<http://www.chinasound.com>

email: csound@jmail.com.cn