

**CLS87S31-8F5-F150**

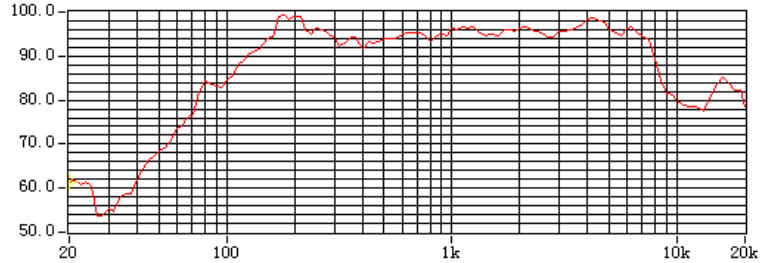
**Description**

Chinasound Loudspeaker 87x87mm diameter, Square frame, 31mm height – 8 ohm, Ferrite, 5W – paper cone with Foam edge, 150 Hz resonant frequency

**Picture**



**Frequency Response Curve**



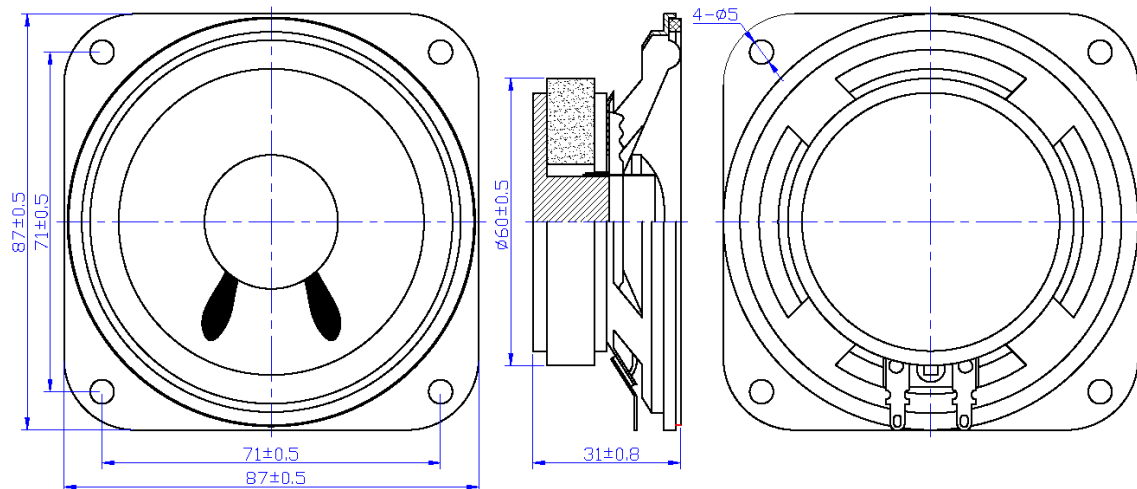
**Specification**

Rated Impedance	8+/-15% ohm (Other Rated Impedance is available.)
Rated Power	5 W
Max. Power	10 W
Resonant Frequency	150+/-20% Hz
Frequency Range	fo ~ 8,000 Hz
Sound Pressure Level	90+/-3 dB (Average of SPL values at 800, 1000, 1200 & 1500 Hz.) at 1w1m
Operating Temperature	-20 °C to +60 °C
Storage Temperature	-30 °C to +70 °C
Termination	2 soldering lugs, Sn plated Brass
Construction Materials	Case Metal Diaphragm Paper cone with foam edge
Weight (Typical)	267 g
Reliability	Must be normal at 6.32V(=5W) sine wave 5W white noise for 96hrs no function at +70 +/-2 °C for 96 hours, function at +60+/-2 °C for 16 hours, no function at -30+/-2 °C for 96 hours, function at -20+/-2 °C for 16 hours, +40+/-2 °C, 90 ~ 95% R.H. for 48hrs -20+/-2 °C, 30min→+20 °C, 15min, →+60+/-2 °C, 30min→+20 °C, 15min, 5 cycles 1.5mm with 10 to 50Hz of vibration frequency to each of 3 perpendicular direction for 2 hrs 350+/-5 °C iron put on soldering lugs for 3+/-1 seconds Soldering lugs are soldered by iron 350+/-5 °C for 3+/-0.5 seconds.

**Warranty**

\* All specifications must be satisfied after the test (Recovery: 2 to 4 hrs of recovery under the standard condition after the removal from test chamber).  
\*\*90% min. soldering lugs shall be with solder.(except the edge of pad)

**Dimensions ( Unit: mm )**



All specifications are subject to change without notice