

**Description**

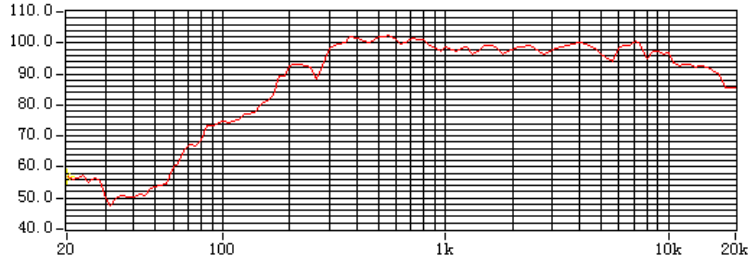
Chinasound Loudspeaker 78x78mm diameter, Squareness frame, 40mm height – 8 ohm, Ferrite, 10W – paper cone, 400 Hz

- ◆ High Sound Press Level
- ◆ Wide Frequency Range
- ◆ Low Leakage Flux

**Picture**



**Frequency Response Curve**



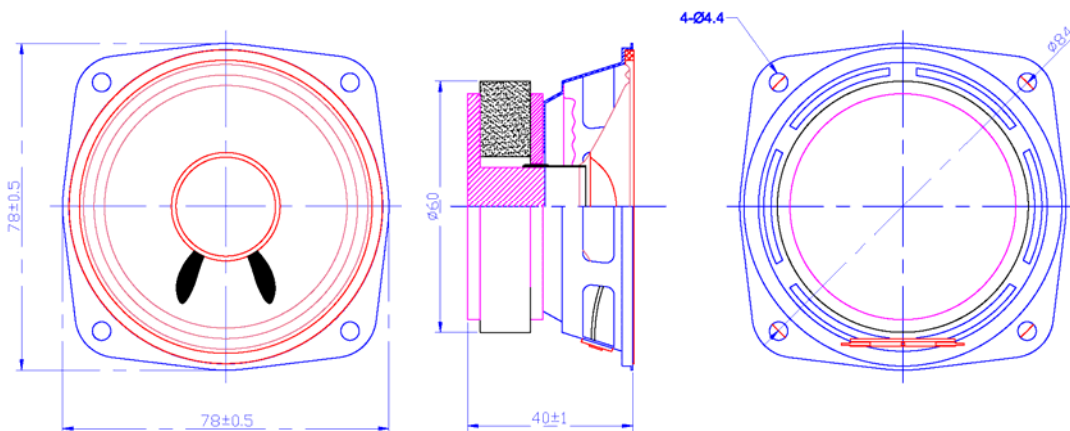
**Specification**

<p>Rated Impedance Rated Power Max. Power Resonant Frequency Frequency Range Sound Pressure Level Operating Temperature Storage Temperature Termination Construction Materials Weight (Typical) Reliability</p>	<p>Description Case Diaphragm *Buzzes &amp; Rattles *Load Test *High Temperature *Low Temperature *Humidity *Thermal Shock *Vibration *Soldering Heat Resistance **Solderability</p>	<p>8+/-15% ohm (Other Rated Impedance is available.) 10 W 20 W 400+/-20% Hz fo ~15,000 Hz 90+/-3 dB (Average of SPL values at 800, 1000, 1200 &amp; 1500 Hz.) at 1w 1m -20 °C to +60 °C -30 °C to +70 °C 2 soldering lugs, Sn plated Brass Metal Paper cone 305 g Must be normal at 8.94V(=10W) sine wave 10W white noise for 96hrs no function at +70 +/-2 °C for 96 hours, function at +60+/-2 °C for 16 hours, no function at -30+/-2 °C for 96 hours, function at -20+/-2 °C for 16 hours, +40+/-2 °C, 90 ~ 95% R.H. for 48hrs -20+/-2 °C, 30min→+20 °C,15min,→+60+/-2 °C, 30min→+20 °C,15min, 5 cycles 1.5mm with 10 to 50Hz of vibration frequency to each of 3 perpendicular direction for 2 hrs 350+/-5 °C iron put on soldering lugs for 3+/-1 seconds Soldering lugs are soldered by iron 350+/-5 °C for 3+/-0.5 seconds. For a period of one (1) year from date of manufacture under normal operations</p>
---	--	---

**Warranty**

\* All specifications must be satisfied after the test (Recovery:2 to 4 hrs of recovery under the standard condition after the removal from test chamber).  
\*\*90% min. soldering lugs shall be with solder.(except the edge of pad)

**Dimensions ( Unit: mm )**



All specifications are subject to change without notice