

CLS77R24-8F2-250

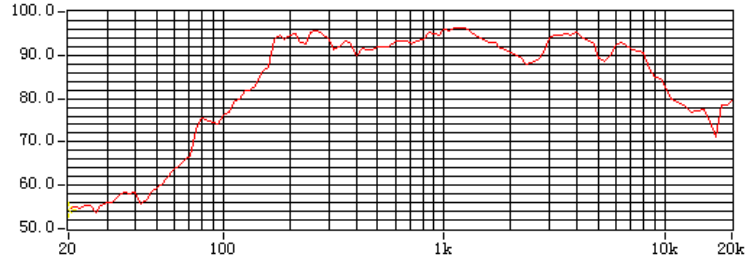
Description

Chinasound Loudspeaker 77mm diameter, Round frame, 24mm height – 8 ohm rated impedance, Ferrite, 2W rated power – paper cone, 250 Hz resonant frequency

Picture



Frequency Response Curve



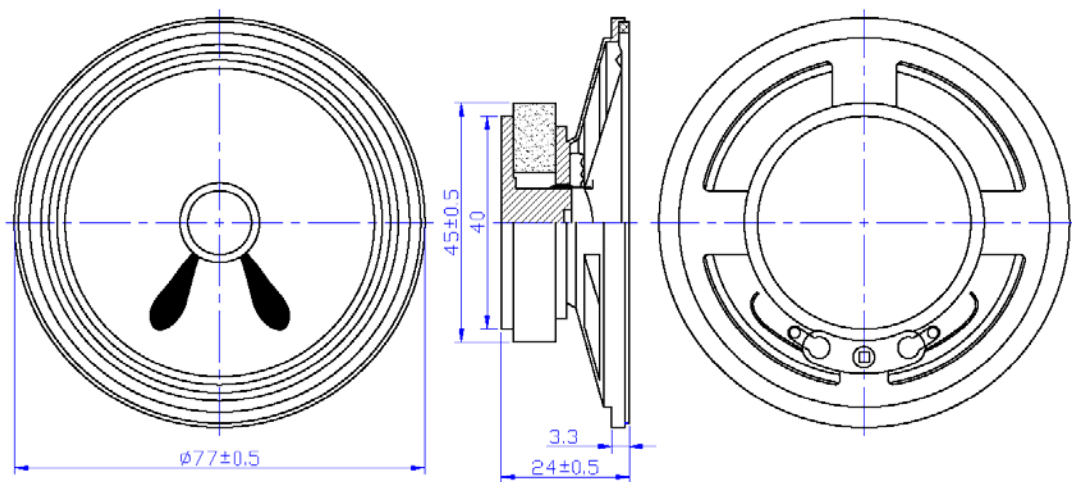
Specification

Rated Impedance	8+/-15% ohm (Other Rated Impedance is available.)
Rated Power	2 W
Max. Power	4 W
Resonant Frequency	250+/-20% Hz
Frequency Range	fo ~ 8,000 Hz
Sound Pressure Level	90+/-3 dB (Average of SPL values at 800, 1000, 1200 & 1500 Hz.) at 1w1m
Operating Temperature	-20°C to +60°C
Storage Temperature	-30°C to +70°C
Termination	2 soldering lugs, Sn plated Brass
Construction Materials	Case Metal Diaphragm Paper cone Paper
Weight (Typical)	115 g
Reliability	Must be normal at 4V(=2W) sine wave 2W white noise for 96hrs no function at +70 +/-2°C for 96 hours, function at +60+/-2°C for 16 hours, no function at -30+/-2°C for 96 hours, function at -20+/-2°C for 16 hours, +40+/-2°C, 90 ~ 95% R.H. for 48hrs -20+/-2°C, 30min->+20°C,15min->+60+/-2°C, 30min->+20°C,15min, 5 cycles 1.5mm with 10 to 50Hz of vibration frequency to each of 3 perpendicular direction for 2 hrs 350+/-5°C iron put on soldering lugs for 3+/-1 seconds Soldering lugs are soldered by iron 350+/-5°C for 3+/-0.5 seconds.
	*Buzzes & Rattles
	*Load Test
	*High Temperature
	*Low Temperature
	*Humidity
	*Thermal Shock
	*Vibration
	*Soldering Heat Resistance
	**Solderability

Warranty

* All specifications must be satisfied after the test (Recovery:2 to 4 hrs of recovery under the standard condition after the removal from test chamber).
**90% min. soldering lugs shall be with solder.(except the edge of pad)

Dimensions (Unit: mm)



All specifications are subject to change without notice