

Description

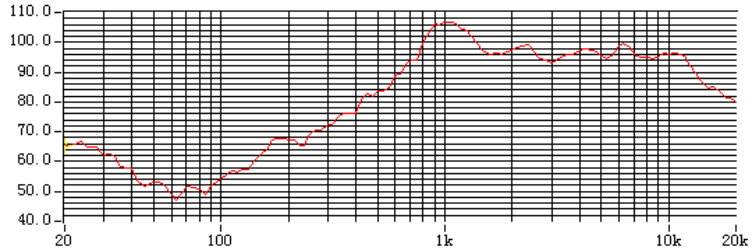
CLS70S28-8F3-T1000:

Chinasound Loudspeaker 70mm length and width, Square frame, 28mm height – 8 ohm rated impedance, Ferrite, 3W rated power –Transparent Mylar cone, 1000 Hz resonant frequency

Picture



Frequency Response Curve



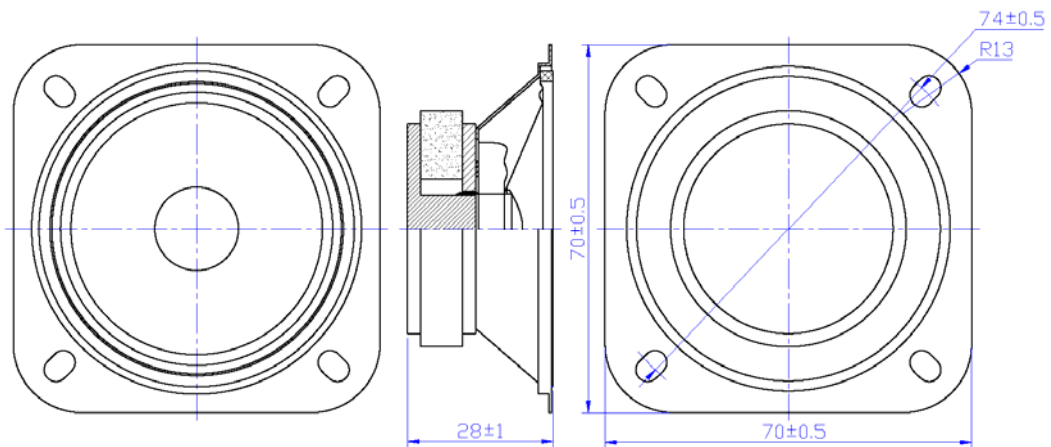
Specification

Rated Impedance	8+/-15% ohm (Other Rated Impedance is available.)
Rated Power	3 W
Max. Power	5 W
Resonant Frequency	1000+/-20% Hz
Frequency Range	fo ~ 20,000 Hz
Sound Pressure Level	95+/-3 dB (Average of SPL values at 800, 1000, 1200 & 1500 Hz.) at 1w1m
Operating Temperature	-20 °C to +60 °C
Storage Temperature	-30 °C to +70 °C
Termination	2 soldering lugs, Sn plated Brass
Construction Materials	Case Metal Diaphragm Mylar
Weight (Typical)	128 g
Reliability	Must be normal at 4.89V(=3W) sine wave 3W white noise for 96hrs no function at +70 +/-2 °C for 96 hours, function at +60+/-2 °C for 16 hours, no function at -30+/-2 °C for 96 hours, function at -20+/-2 °C for 16 hours, +40+/-2°, 90 ~ 95% R.H. for 48hrs -20+/-2 °C, 30min→+20 °C,15min,→+60+/-2 °C, 30min→+20 °C,15min, 5 cycles 1.5mm with 10 to 50Hz of vibration frequency to each of 3 perpendicular direction for 2 hrs 350+/-5 °C iron put on soldering lugs for 3+/-1 seconds Soldering lugs are soldered by iron 350+/-5 °C for 3+/-0.5 seconds.
	For a period of one (1) year from date of manufacture under normal operations

Warranty

* All specifications must be satisfied after the test (Recovery:2 to 4 hrs of recovery under the standard condition after the removal from test chamber).
**90% min. soldering lugs shall be with solder.(except the edge of pad)

Dimensions (Unit: mm)



All specifications are subject to change without notice