

**Description**

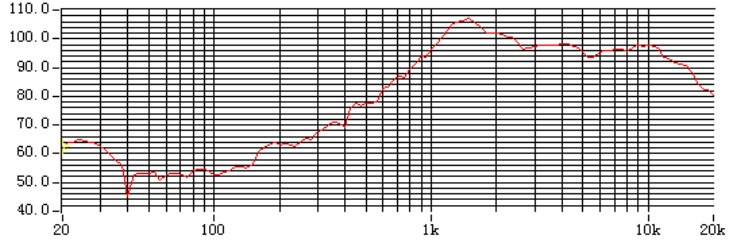
Chinasound Loudspeaker 66mm diameter, Round frame, 26.5mm height – 8 ohm, Ferrite magnet, 3W –Transparent Mylar cone, 1500 Hz, RoHS compliant

- ◆ RoHS compliant
- ◆ High Sound Press Level
- ◆ Wide Frequency Range
- ◆ Low Leakage Flux

**Picture**



**Frequency Response Curve**



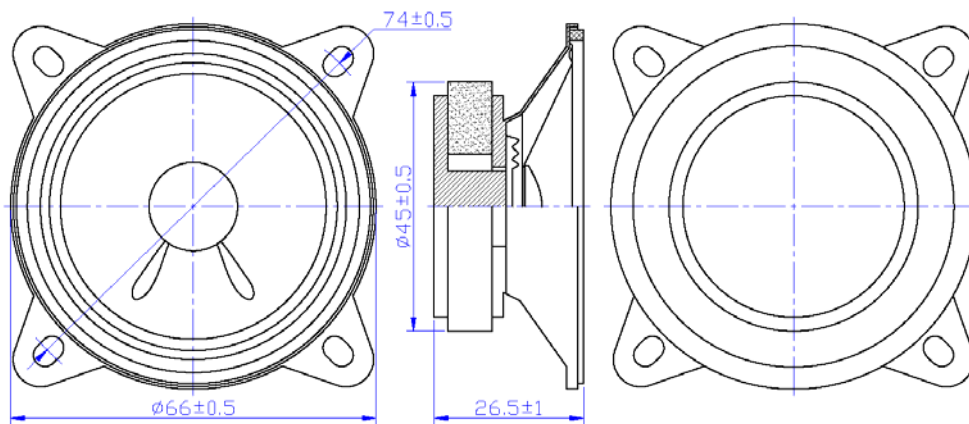
**Specification**

Rated Impedance	8+/-15% ohm (Other Rated Impedance is available.)
Rated Power	3 W
Max. Power	5 W
Resonant Frequency	1500+/-20% Hz
Frequency Range	fo ~ 20,000 Hz
Sound Pressure Level	95+/-3 dB (Average of SPL values at 800, 1000, 1200 & 1500 Hz.) at 1w1m
Operating Temperature	-20 °C to +60 °C
Storage Temperature	-30 °C to +70 °C
Termination	2 soldering lugs, Sn plated Brass
Construction Materials	Case Metal Diaphragm Transparent Mylar cone
Weight (Typical)	121 g
Reliability	Must be normal at 4.89V(=3W) sine wave 3W white noise for 96hrs no function at +70 +/-2 °C for 96 hours, function at +60+/-2 °C for 16 hours, no function at -30+/-2 °C for 96 hours, function at -20+/-2 °C for 16 hours, +40+/-2 °C, 90 ~ 95% R.H. for 48hrs -20+/-2 °C, 30min→+20 °C,15min,→+60+/-2 °C, 30min→+20 °C,15min, 5 cycles 1.5mm with 10 to 50Hz of vibration frequency to each of 3 perpendicular direction for 2 hrs 350+/-5 °C iron put on soldering lugs for 3+/-1 seconds Soldering lugs are soldered by iron 350+/-5 °C for 3+/-0.5 seconds.
	For a period of one (1) year from date of manufacture under normal operations

**Warranty**

\* All specifications must be satisfied after the test (Recovery:2 to 4 hrs of recovery under the standard condition after the removal from test chamber).  
\*\*90% min. soldering lugs shall be with solder.(except the edge of pad)

**Dimensions ( Unit: mm )**



All specifications are subject to change without notice