

**Description**

**CLS66R12-50N0.5-320R:**

Chinasound Loudspeaker 66mm diameter, Round metal frame, 12mm height – 50 ohm rated impedance, Ferrite magnet, 3W rated power – 320 Hz, RoHS compliant

◆ **RoHS compliant**

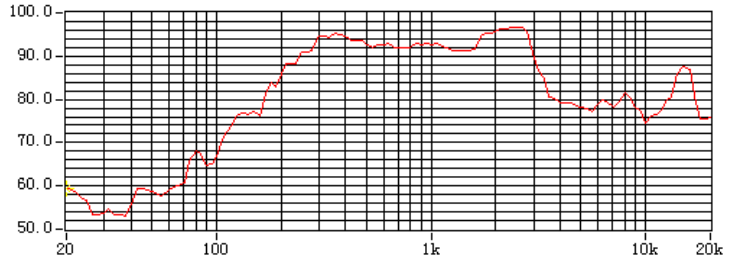
◆ Small height with Low Rated Frequency

◆ High Sound Press Level

**Picture**



**Frequency Response Curve** by Soundcheck at 0.5m0.5W



**Specification**

Rated Impedance

50+/-15% ohm

Rated Power

0.5 W

Max. Power

1 W

Resonant Frequency

320+/-20% Hz

Frequency Range

fo ~ 3,500 Hz

Sound Pressure Level

89+/-3 dB (Average of SPL values at 800, 1000, 1200 & 1500 Hz.) at 1m1W

Operating Temperature

-10 °C to +40 °C

Storage Temperature

-20 °C to +50 °C

Termination

Description

2 soldering lugs, Sn plated Brass

Construction Materials

Case

Steel frame

Diaphragm

Paper cone

Weight (Typical)

g

Reliability

\*Buzzes & Rattles

Must be normal at 5 V(=0.5W) sine wave

\*Load Test

0.5W white noise for 96hrs

\*High Temperature

no function at +50 +/-2 °C for 96 hours, function at +40+/-2 °C for 16 hours,

\*Low Temperature

no function at -20+/-2 °C for 96 hours, function at -10+/-2 °C for 16 hours,

\*Humidity

+40+/-2°C, 90 ~ 95% R.H. for 48hrs

\*Thermal Shock

-10+/-2 °C, 30min→+20 °C, 15min, →+40+/-2 °C, 30min→+20 °C, 15min, 5 cycles

\*Vibration

1.5mm with 10 to 50Hz of vibration frequency to each of 3 perpendicular direction for 2 hrs

\*Soldering Heat Resistance

350+/-5 °C iron put on terminal lugs for 3+/-1 seconds

\*\*Solderability

Lead terminals are immersed in rosin for 5 seconds and then immersed in solder bath of 350+/-5 °C for 3+/-0.5 seconds.

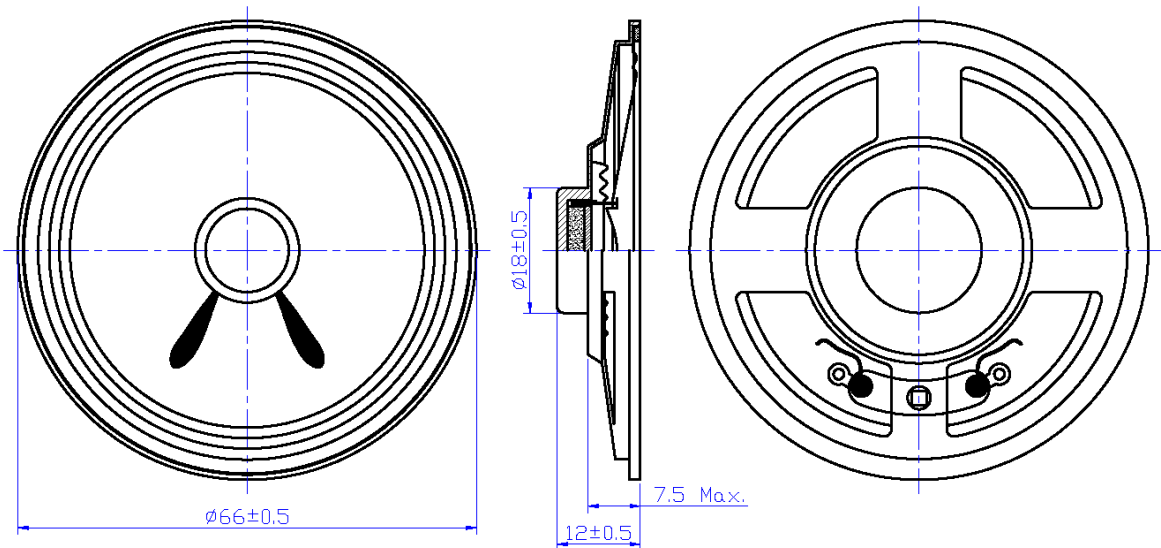
**Warranty**

For a period of one (1) year from date of manufacture under normal operations

\* All specifications must be satisfied after the test (Recovery: 2 to 4 hrs of recovery under the standard condition after the removal from test chamber).

\*\*90% min. soldering lugs shall be with solder.(except the edge of pad)

**Dimensions ( Unit: mm )**



All specifications are subject to change without notice