

**CLS64RA19.4-8F1-B400R**

**Description**

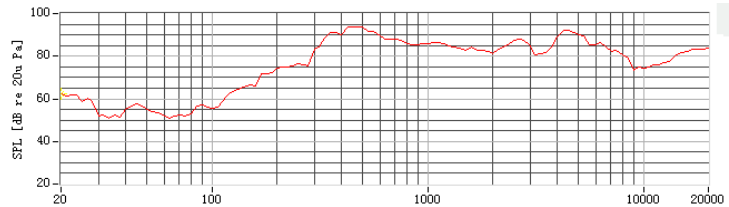
Chinasound Loudspeaker 64mm diameter, Round ABS frame, 19.4mm height – 8 ohm rated impedance, Ferrite magnet, 1W rated power – Black Mylar cone, 400 Hz, RoHS compliant

- ◆ RoHS compliant
- ◆ High Sound Press Level
- ◆ Wide Frequency Range

**Picture**



**Frequency Response Curve**



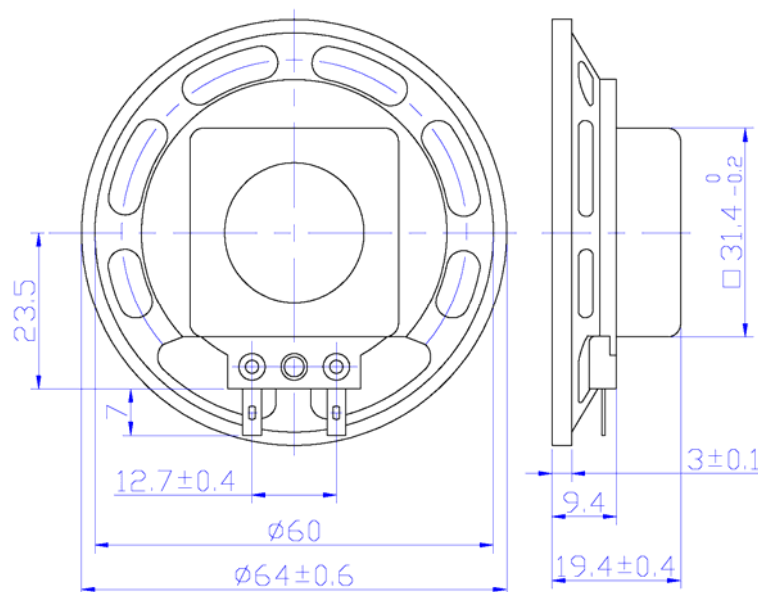
**Specification**

Rated Impedance	8+/-15% ohm
Rated Power	1 W
Max. Power	1.5 W
Resonant Frequency	400+/-20% Hz
Frequency Range	fo ~ 5,000 Hz
Sound Pressure Level	86+/-3 dB (Average of SPL values at 800, 1000, 1200 & 1500 Hz.)
Operating Temperature	-10 °C to +40 °C
Storage Temperature	-20 °C to +50 °C
Termination	2 soldering lugs, Sn plated Brass
Construction Materials	Case ABS PA-757,Black Diaphragm Black Mylar cone
Weight (Typical)	47 g
Reliability	Must be normal at 2.83 V(=1W) sine wave 1W white noise for 96hrs no function at +50 +/-2 °C for 96 hours, function at +40+/-2 °C for 16 hours, no function at -20+/-2 °C for 96 hours, function at -10+/-2 °C for 16 hours, +40+/-2 °C, 90 ~ 95% R.H. for 48hrs -10+/-2 °C, 30min→+20 °C,15min,→+40+/-2 °C, 30min→+20 °C,15min, 5 cycles 1.5mm with 10 to 50Hz of vibration frequency to each of 3 perpendicular direction for 2 hrs 350+/-5 °C iron put on terminal lugs for 3+/-1 seconds Lead terminals are immersed in rosin for 5 seconds and then immersed in solder bath of 350+/-5 °C for 3+/-0.5 seconds.
	<b>*Buzzes &amp; Rattles</b>
	<b>*Load Test</b>
	<b>*High Temperature</b>
	<b>*Low Temperature</b>
	<b>*Humidity</b>
	<b>*Thermal Shock</b>
	<b>*Vibration</b>
	<b>*Soldering Heat Resistance</b>
	<b>**Solderability</b>

**Warranty**

\* All specifications must be satisfied after the test (Recovery:2 to 4 hrs of recovery under the standard condition after the removal from test chamber).  
\*\*90% min. soldering lugs shall be with solder.(except the edge of pad)

**Dimensions ( Unit: mm )**



All specifications are subject to change without notice



CHANGZHOU CHINASOUND ELECTRONICS CO., LTD.

Tel: +86-519-86182518 Fax: +86-519-6182519

<http://www.chinasound.com>

email: [csound@jmail.com.cn](mailto:csound@jmail.com.cn)