

Description

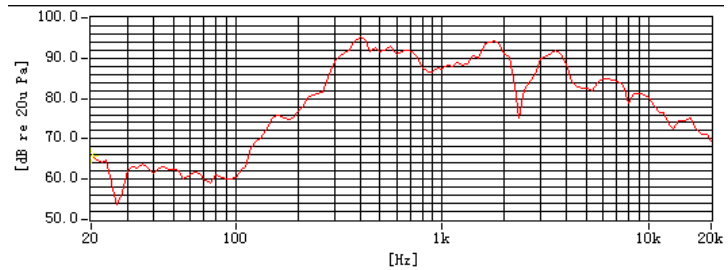
Chinasound Loudspeaker 64mm diameter, Round ABS frame, 19.4mm height – 50 ohm rated impedance, Ferrite magnet, 1W rated power – Black Mylar cone, 350 Hz, RoHS compliant

- ◆ RoHS compliant
- ◆ High Sound Press Level
- ◆ Wide Frequency Range

Picture



Frequency Response Curve



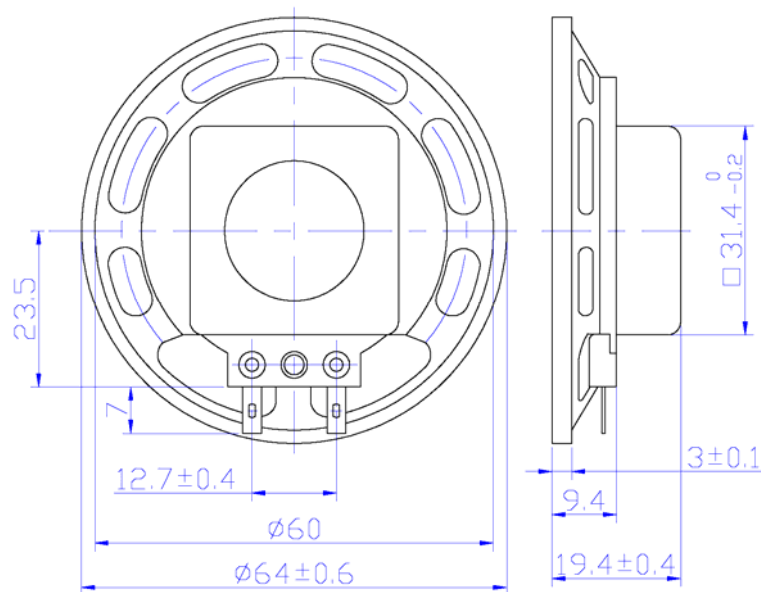
Specification

Rated Impedance	50+/-15% ohm
Rated Power	1 W
Max. Power	1.5 W
Resonant Frequency	350+/-20% Hz
Frequency Range	fo ~ 5,000 Hz
Sound Pressure Level	86+/-3 dB (Average of SPL values at 800, 1000, 1200 & 1500 Hz.)
Operating Temperature	-10 °C to +40 °C
Storage Temperature	-20 °C to +50 °C
Termination	2 soldering lugs, Sn plated Brass
Construction Materials	Case ABS PA-757,Black Diaphragm Paper cone
Weight (Typical)	47 g
Reliability	Must be normal at 7.01V(=1W) sine wave 1W white noise for 96hrs no function at +50 +/-2 °C for 96 hours, function at +40+/-2 °C for 16 hours, no function at -20+/-2 °C for 96 hours, function at -10+/-2 °C for 16 hours, +40+/-2 °C, 90 ~ 95% R.H. for 48hrs -10+/-2 °C, 30min→+20 °C,15min,→+40+/-2 °C, 30min→+20 °C,15min, 5 cycles 1.5mm with 10 to 50Hz of vibration frequency to each of 3 perpendicular direction for 2 hrs 350+/-5 °C iron put on terminal lugs for 3+/-1 seconds Lead terminals are immersed in rosin for 5 seconds and then immersed in solder bath of 350+/-5 °C for 3+/-0.5 seconds.
	*Buzzes & Rattles
	*Load Test
	*High Temperature
	*Low Temperature
	*Humidity
	*Thermal Shock
	*Vibration
	*Soldering Heat Resistance
	**Solderability

Warranty

* All specifications must be satisfied after the test (Recovery:2 to 4 hrs of recovery under the standard condition after the removal from test chamber).
**90% min. soldering lugs shall be with solder.(except the edge of pad)

Dimensions (Unit: mm)



All specifications are subject to change without notice

Revisions History

Version Number	Description	Name
091020	Original	Gaoli