

Description

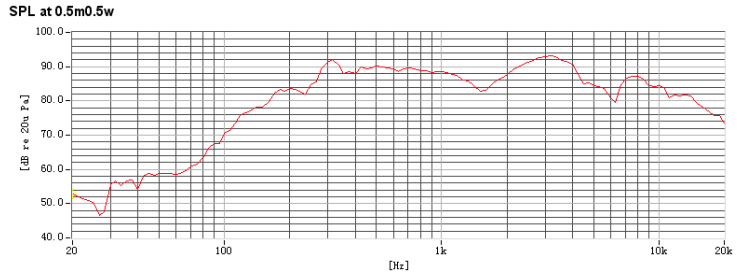
Chinasound Loudspeaker 50mm diameter, Round Noryl frame, 18.2mm height, type E(=with Noryl gasket and frame, straight terminals) – 8 ohm, Ferrite, 0.5W – Black Mylar cone, 320 Hz, RoHS compliant

- ◆ RoHS compliant
- ◆ Water-proof

Picture



Frequency Response Curve



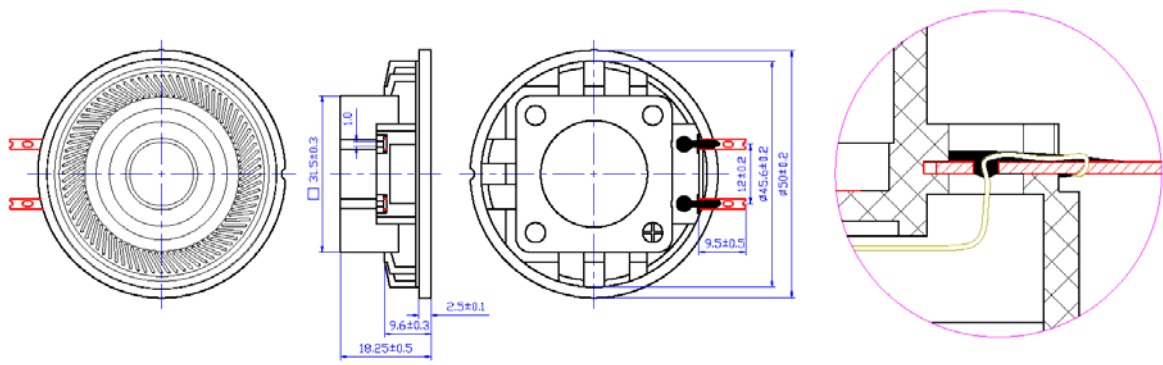
Specification

Rated Impedance	8+/-15% ohm (Other Rated Impedance is available.)
Rated Power	0.5 W
Max. Power	1 W
Resonant Frequency	320+/-20% Hz
Frequency Range	fo ~ 5000 Hz
Sound Pressure Level	86+/-3 dB (Average of SPL values at 800, 1000, 1200 & 1500 Hz.)
THD	<5% at 1kHz and 2VRMS (test by sound chamber)
Operating Temperature	-20 °C to +60 °C
Storage Temperature	-30 °C to +70 °C
Termination	Description 2 soldering lugs, Sn plated Brass
Construction Materials	Frame Plastic, Noryl PX9406
	Diaphragm Black Mylar
Weight (Typical)	45 g
Reliability	*Buzes & Rattles Must be normal at 2V(=0.5W) sine wave
	*Load Test 0.5W white noise for 96hrs
	*High Temperature no function at +70 +/-2 °C for 96 hours, function at +60+/-2 °C for 16 hours,
	*Low Temperature no function at -30+/-2 °C for 96 hours, function at -20+/-2 °C for 16 hours,
	*Humidity +40+/-2°C, 90 ~ 95% R.H. for 48hrs
	*Thermal Shock -20+/-2 °C, 30min→+20 °C,15min,→+60+/-2 °C, 30min→+20 °C,15min, 5 cycles
	*Vibration 1.5mm with 10 to 50Hz of vibration frequency to each of 3 perpendicular direction for 2 hrs
	*Soldering Heat Resistance Pins are immersed up to 1.5mm from sounder's body in solder bath of 350+/-5 °C for 3±0.5 seconds or 260+/-5 °C for 10+/-1 seconds
	**Solderability Lead terminals are immersed in rosin for 5 seconds and then immersed in solder bath of 350+/-5 °C for 3+/-0.5 seconds.

Warranty

For a period of one (1) year from date of manufacture under normal operations
 * All specifications must be satisfied after the test (Recovery:2 to 4 hrs of recovery under the standard condition after the removal from test chamber).
 **90% min. soldering pads shall be with solder.(except the edge of pad)

Dimensions (Unit: mm)



All specifications are subject to change without notice

Composed by: Guo J/080616 Checked by: Gao L, Gong YS, Zhu YC/080616 Approved by: Wang Z/080616



CHANGZHOU CHINASOUND ELECTRONICS CO., LTD.
 Tel: +86-519-86182518 Fax: 86182519
<http://www.chinasound.com>
 email: csound@jsmail.com.cn

Revisions History

Version Number	Description	Name
080616	Original, CLS50RN18.2E-8F0.5-B320R	Guo Jun

Composed by: Guo J/080616 Checked by: Gao L, Gong YS, Zhu YC/080616 Approved by: Wang Z/080616



CHANGZHOU CHINASOUND ELECTRONICS CO., LTD.
Tel: +86-519-86182518 Fax: 86182519
<http://www.chinasound.com>
email: csound@jssmail.com.cn