

**Description**

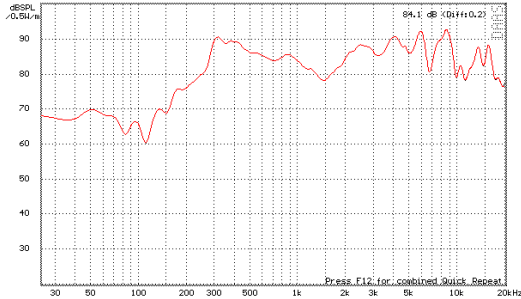
Chinasound Loudspeaker 50mm diameter, Round ABS frame, 18.2mm height, type C(=with gasket, up straight terminals) – 25 ohm, Ferrite, 0.5W – Black Mylar cone, 320 Hz – Connector 16 (JST ZH-02P cross), Wire length 45mm, RoHS compliant

- ◆ RoHS complaint
- ◆ Water-proof
- ◆ Flame Retardant Plastic 94-HB

**Picture**



**Frequency Response Curve**



**Specification**

- Rated Impedance
- Rated Power
- Max. Power
- Resonant Frequency
- Frequency Range
- Sound Pressure Level
- Operating Temperature
- Storage Temperature
- Termination
- Construction Materials

- Weight (Typical)
- Reliability

- Description
- Case
- Diaphragm

- \*Buzzes & Rattles
- \*Load Test
- \*High Temperature
- \*Low Temperature
- \*Humidity
- \*Thermal Shock
- \*Vibration

- \*Soldering Heat Resistance

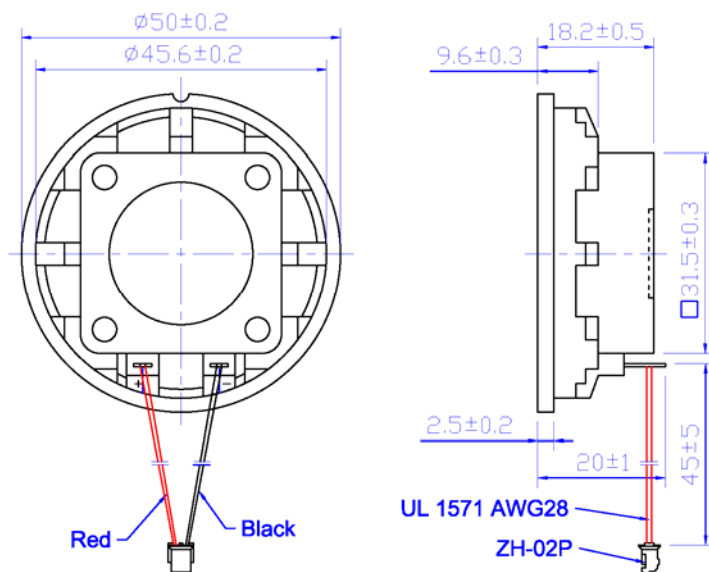
- \*\*Solderability

25+/-15% ohm (Other Rated Impedance is available.)  
 0.5 W  
 1 W  
 320+/-20% Hz  
 fo ~ 5000 Hz  
 85+/-3 dB (Average of SPL values at 800, 1000, 1200 & 1500 Hz.)  
 -20 °C to +60 °C  
 -30 °C to +70 °C  
 2 soldering lugs, Sn plated Brass  
 Plastic, ABS 757  
 Black Mylar  
 45 g  
 Must be normal at 3.54V(=0.5W) sine wave  
 0.5W white noise for 96hrs  
 no function at +70 +/-2 °C for 96 hours, function at +60+/-2 °C for 16 hours,  
 no function at -30+/-2 °C for 96 hours, function at -20+/-2 °C for 16 hours,  
 +40+/-2C°, 90 ~ 95% R.H. for 48hrs  
 -20+/-2 °C, 30min→+20 °C, 15min, →+60+/-2 °C, 30min→+20 °C, 15min, 5 cycles  
 1.5mm with 10 to 50Hz of vibration frequency to each of 3 perpendicular direction for 2 hrs  
 Pins are immersed up to 1.5mm from sounder's body in solder bath of 350+/-5 °C for 3+/-0.5 seconds or 260+/-5 °C for 10+/-1 seconds  
 Lead terminals are immersed in rosin for 5 seconds and then immersed in solder bath of 350+/-5 °C for 3+/-0.5 seconds.

**Warranty**

\* All specifications must be satisfied after the test (Recovery:2 to 4 hrs of recovery under the standard condition after the removal from test chamber).  
 \*\*90% min. soldering pads shall be with solder.(except the edge of pad)

**Dimensions ( Unit: mm )**



All specifications subject to change without notice.

Composed by: Guo J/060112 Checked by: Gao L, Gong YS, Zhu YC/060112 Approved by: Wang Z/060112



CHANGZHOU CHINASOUND ELECTRONICS CO., LTD.  
 Tel: +86-519-86182518 Fax: 86182519  
<http://www.chinasound.com>  
 email: csound@jstmail.com.cn

## Revisions History

| Version Number | Description                                | Name    |
|----------------|--|---------|
| 060112         | Original, CLS50RN18.2C-25F0.5-B320-C16W45R | Guo Jun |

Composed by: Guo J/060112    Checked by: Gao L, Gong YS, Zhu YC/060112    Approved by: Wang Z/060112

**ChinaSound**

**CHANGZHOU CHINASOUND ELECTRONICS CO., LTD.**

Tel: +86-519-86182518    Fax: 86182519

<http://www.chinasound.com>

email: [csound@jmail.com.cn](mailto:csound@jmail.com.cn)