

**Description**

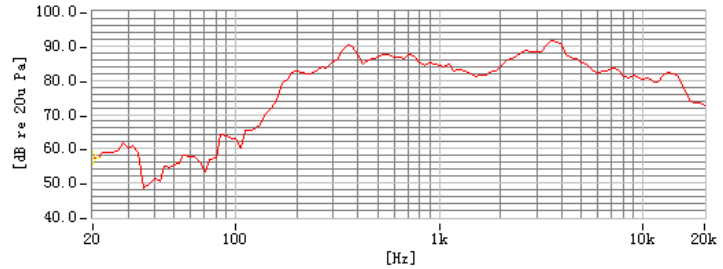
Chinasound Loudspeaker 50mm diameter, Round ABS frame, 18.2mm height, type B(=with gasket, straight terminals) – 32 ohm, Ferrite, 0.5W – Black Mylar cone, 320 Hz – Connector 09 (Molex 51021-0200), Wire length 155mm, RoHS compliant

- ◆ RoHS complaint
- ◆ Water-proof
- ◆ Flame Retardant Plastic 94-HB

**Picture**



**Frequency Response Curve**



**Specification**

- Rated Impedance
- Rated Power
- Max. Power
- Resonant Frequency
- Frequency Range
- Sound Pressure Level
- Operating Temperature
- Storage Temperature
- Termination
- Construction Materials

- Description
- Case
- Diaphragm

- Weight (Typical)
- Reliability

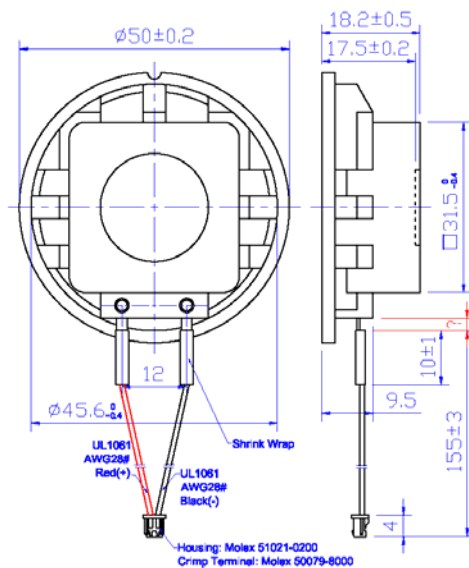
- \*Buzzes & Rattles
- \*Load Test
- \*High Temperature
- \*Low Temperature
- \*Humidity
- \*Thermal Shock
- \*Vibration
- \*Soldering Heat Resistance
- \*\*Solderability

32+/-15% ohm (Other Rated Impedance is available.)  
 0.5 W  
 1 W  
 320+/-20% Hz  
 fo ~ 5000 Hz  
 85+/-3 dB (Average of SPL values at 800, 1000, 1200 & 1500 Hz.)  
 -20 °C to +60 °C  
 -30 °C to +70 °C  
 1.25mm connector Molex 51021-0200, UL1061 AWG28# Wires, Red(+) & Black(-)  
 Plastic, ABS 757  
 Black Mylar  
 45 g  
 Must be normal at 4V(=0.5W) sine wave  
 0.5W white noise for 96hrs  
 no function at +70 +/-2 °C for 96 hours, function at +60+/-2 °C for 16 hours,  
 no function at -30+/-2 °C for 96 hours, function at -20+/-2 °C for 16 hours,  
 +40+/-2 °C, 90 ~ 95% R.H. for 48hrs  
 -20+/-2 °C, 30min→+20 °C, 15min, →+60+/-2 °C, 30min→+20 °C, 15min, 5 cycles  
 1.5mm with 10 to 50Hz of vibration frequency to each of 3 perpendicular direction for 2 hrs  
 Pins are immersed up to 1.5mm from sounder's body in solder bath of 350+/-5 °C for 3+/-0.5 seconds or 260+/-5 °C for 10+/-1 seconds  
 Lead terminals are immersed in rosin for 5 seconds and then immersed in solder bath of 350+/-5 °C for 3+/-0.5 seconds.

**Warranty**

For a period of one (1) year from date of manufacture under normal operations  
 \* All specifications must be satisfied after the test (Recovery:2 to 4 hrs of recovery under the standard condition after the removal from test chamber).  
 \*\*90% min. soldering pads shall be with solder.(except the edge of pad)

**Dimensions ( Unit: mm )**



All specifications subject to change without notice.