

Description

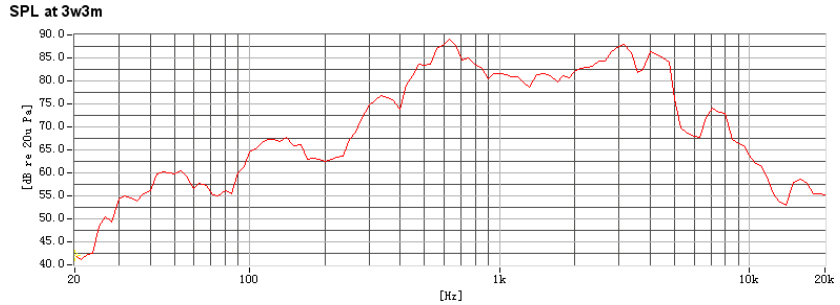
Chinasound Loudspeaker 50mm diameter, Round metal frame, 17mm height – 16 ohm, Ferrite, 3W – Transparent Mylar cone, 600 Hz – Connector number 26, Wire 100mm length, RoHS compliant

- ◆ RoHS complaint
- ◆ Water-proof
- ◆ High Rated Power

Picture



Frequency Response Curve Tested by Sound Check



Specification

- Rated Impedance
- Rated Power
- Max. Power
- Resonant Frequency
- Frequency Range
- Sound Pressure Level
- Operating Temperature
- Storage Temperature
- Termination
- Construction Materials

- Weight (Typical)
- Reliability

Description
Case
Diaphragm

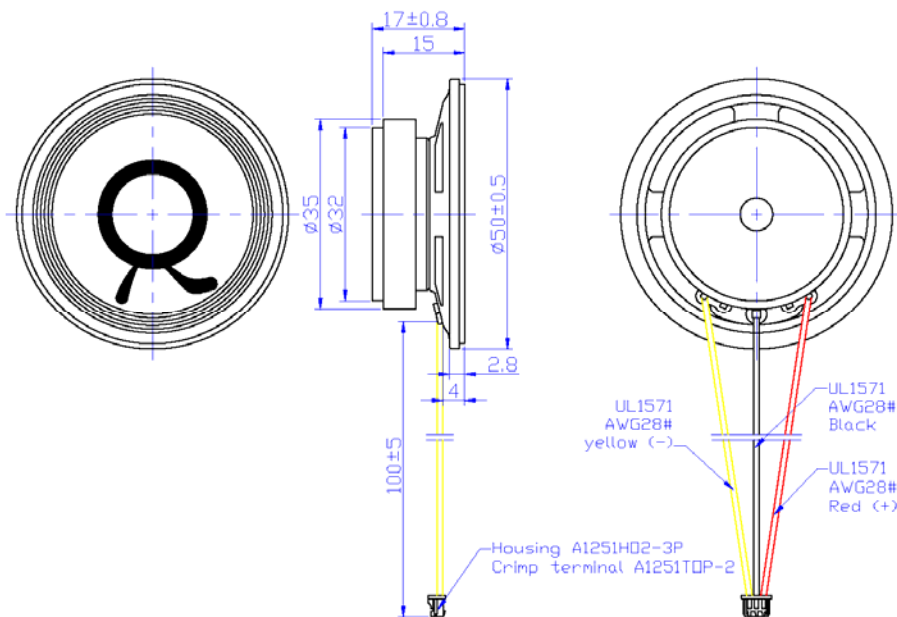
- *Buzzes & Rattles
- *Load Test
- *High Temperature
- *Low Temperature
- *Humidity
- *Thermal Shock
- *Vibration
- *Soldering Heat Resistance
- **Solderability

16+/-15% ohm (Other Rated Impedance is available.)
 3 W
 4.5 W
 600+/-20% Hz
 fo ~ 5000 Hz
 85dB min. at 3W 3meter at a point between 2.5KHz to 3.5KHz, at 25 °C
 -20 °C to +60 °C
 -30 °C to +70 °C
 Connector,
 Steel, Zn plated
 Transparent Mylar
 g
 Must be normal at 9.80V(=3W) sine wave
 3W white noise for 96hrs
 no function at +70 +/-2 °C for 96 hours, function at +60+/-2 °C for 16 hours,
 no function at -30+/-2 °C for 96 hours, function at -20+/-2 °C for 16 hours,
 +40+/-2C°, 90 ~ 95% R.H. for 48hrs
 -20+/-2 °C, 30min→+20 °C, 15min, →+60+/-2 °C, 30min→+20 °C, 15min, 5 cycles
 1.5mm with 10 to 50Hz of vibration frequency to each of 3 perpendicular direction for 2 hrs
 350+/-5 °C iron put on soldering lugs for 3+/-1 seconds
 Soldering lugs are soldered by iron 350+/-5 °C for 3+/-0.5 seconds.

Warranty

* All specifications must be satisfied after the test (Recovery:2 to 4 hrs of recovery under the standard condition after the removal from test chamber).
 **90% min. soldering pads shall be with solder.(except the edge of pad)

Dimensions (Unit: mm, Tolerance: +/-0.5mm)



All specifications are subject to change without notice

Composed by: Jack Guo/091006 Checked by: Gao L, Gong YS, Zhu YC/091006 Approved by: Wang Z/091006



CHANGZHOU CHINASOUND ELECTRONICS CO., LTD.

Tel: +86-519-86182518 Fax: 86182519

<http://www.chinasound.com>

email: csound@jmail.com.cn

Revisions History

Version Number	Description	Name
090110	Original	Lu Kangyuan
090428	To correct connector number from C09 to C26	Lu Kangyuan
090729	Coil leading wire is improved based on heat test results requested by Customer	Lu Kangyuan
091006	(1) Dimensions are added as per customer's requirement. (2) Picture is added.	Jack Guo

Composed by: Jack Guo/091006 Checked by: Gao L, Gong YS, Zhu YC/091006 Approved by: Wang Z/091006

ChinaSound

CHANGZHOU CHINASOUND ELECTRONICS CO., LTD.

Tel: +86-519-86182518 Fax: 86182519

<http://www.chinasound.com>

email: csound@jsmail.com.cn