

**Description**

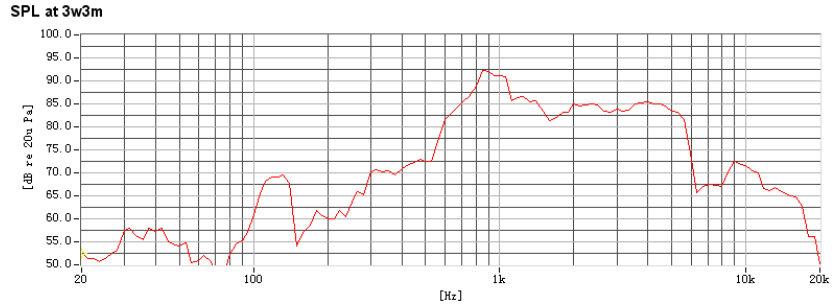
Chinasound Loudspeaker 50mm diameter, Round metal frame, 14mm height – 16 ohm, NdFeB, 3W – Transparent Mylar cone, 700 Hz – Connector number 26, Wire 100mm length, RoHS compliant

- ◆ RoHS complaint
- ◆ Water-proof
- ◆ High Rated Power

**Picture**



**Frequency Response Curve** Tested by Sound Check



**Specification**

- Rated Impedance
- Rated Power
- Max. Power
- Resonant Frequency
- Frequency Range
- Sound Pressure Level
- Operating Temperature
- Storage Temperature
- Termination
- Construction Materials

- Weight (Typical)
- Reliability

- Description
- Case
- Diaphragm

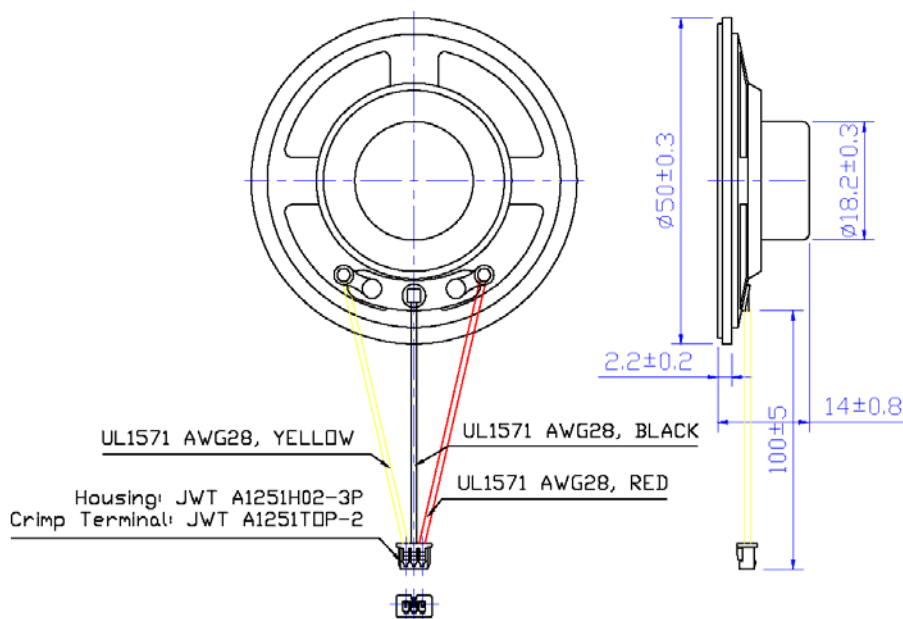
- \*Buzzes & Rattles
- \*Load Test
- \*High Temperature
- \*Low Temperature
- \*Humidity
- \*Thermal Shock
- \*Vibration
- \*Soldering Heat Resistance
- \*\*Solderability

16+/-15% ohm (Other Rated Impedance is available.)  
 3 W  
 5 W  
 700+/-20% Hz  
 fo ~ 4000 Hz  
 83 dB min. at 3W 3m at a point between 2.5 to 3.5KHz at 25 °C  
 -20 °C to +60 °C  
 -30 °C to +70 °C  
 2 soldering terminal, Silver plated Brass  
 Steel, Zn plated  
 Transparent Mylar  
 22 g  
 Must be normal at 9.80V(=3W) sine wave  
 3W white noise for 96hrs  
 no function at +70 +/-2 °C for 96 hours, function at +60+/-2 °C for 16 hours,  
 no function at -30+/-2 °C for 96 hours, function at -20+/-2 °C for 16 hours,  
 +40+/-2 °C, 90 ~ 95% R.H. for 48hrs  
 -20+/-2 °C, 30min→+20 °C, 15min,→+60+/-2 °C, 30min→+20 °C, 15min, 5 cycles  
 1.5mm with 10 to 50Hz of vibration frequency to each of 3 perpendicular direction  
 for 2 hrs  
 350+/-5 °C iron put on soldering lugs for 3+/-1 seconds  
 Soldering lugs are soldered by iron 350+/-5 °C for 3+/-0.5 seconds.  
 For a period of one (1) year from date of manufacture under normal operations

**Warranty**

\* All specifications must be satisfied after the test (Recovery:2 to 4 hrs of recovery under the standard condition after the removal from test chamber).  
 \*\*90% min. soldering pads shall be with solder.(except the edge of pad)

**Dimensions** ( Unit: mm )



All specifications are subject to change without notice

## Revisions History

Version Number	Description	Name
090109	Original	Lu Kangyuan
090428	To correct connector number from C09 to C26	Lu Kangyuan

Composed by: Lu Kangyuan/090428    Checked by: Gong Yongsheng/090428    Approved by: Wang Zhen/090428

**ChinaSound**

**CHANGZHOU CHINASOUND ELECTRONICS CO., LTD.**

Tel: +86-519-86182518 Fax: 86182519

<http://www.chinasound.com>

email: [csound@jmail.com.cn](mailto:csound@jmail.com.cn)