

CLS50R10.5-45N0.5-400

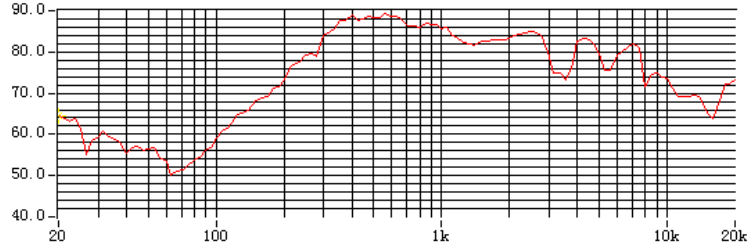
Description

Chinasound Loudspeaker 50mm diameter, Round frame, 10.5mm height – 45 ohm rated impedance, NdFeB magnet, 0.5W rated power – paper cone, 400 Hz resonant frequency

Picture



Frequency Response Curve



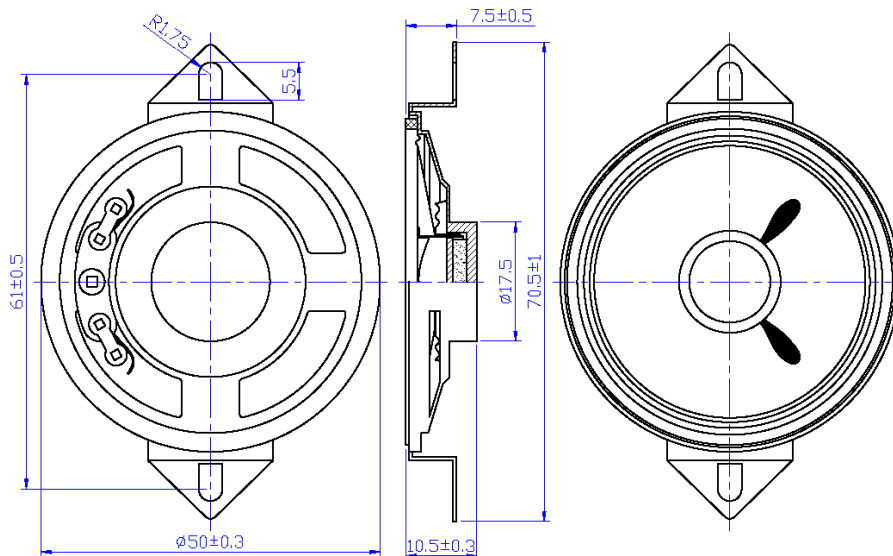
Specification

Rated Impedance	45+/-15% ohm (Other Rated Impedance is available.)
Rated Power	0.5 W
Max. Power	1 W
Resonant Frequency	400+/-20% Hz
Frequency Range	fo ~ 5,000 Hz
Sound Pressure Level	85+/-3 dB (Average of SPL values at 800, 1000, 1200 & 1500 Hz.) at 1w 1m
Operating Temperature	-20 °C to +60 °C
Storage Temperature	-30 °C to +70 °C
Termination	2 soldering lugs, Sn plated Brass
Construction Materials	Case Metal Diaphragm paper cone
Weight (Typical)	16 g
Reliability	Must be normal at 4.74V(=0.5W) sine wave 0.5W white noise for 96hrs no function at +70 +/-2 °C for 96 hours, function at +60+/-2 °C for 16 hours, no function at -30+/-2 °C for 96 hours, function at -20+/-2 °C for 16 hours, +40+/-2 °C, 90 ~ 95% R.H. for 48hrs -20+/-2 °C, 30min→+20 °C,15min,→+60+/-2 °C, 30min→+20 °C,15min, 5 cycles 1.5mm with 10 to 50Hz of vibration frequency to each of 3 perpendicular direction for 2 hrs 350+/-5 °C iron put on soldering lugs for 3+/-1 seconds Soldering lugs are soldered by iron 350+/-5 °C for 3+/-0.5 seconds.

Warranty

* All specifications must be satisfied after the test (Recovery:2 to 4 hrs of recovery under the standard condition after the removal from test chamber).
**90% min. soldering lugs shall be with solder.(except the edge of pad)

Dimensions (Unit: mm)



All specifications are subject to change without notice