

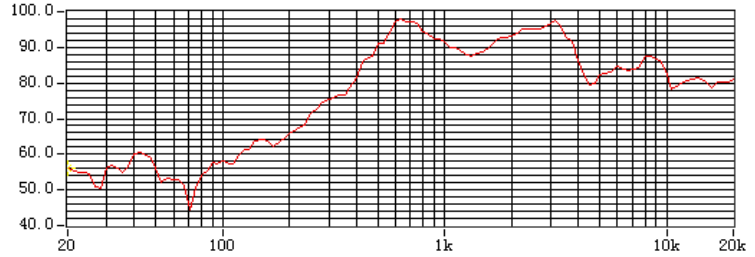
Description

Chinasound Loudspeaker 45mm diameter, Round frame, 8.5mm height – 16 ohm, NiFeB magnet, 0.8W – paper cone, 600 Hz

Picture



Frequency Response Curve



Specification

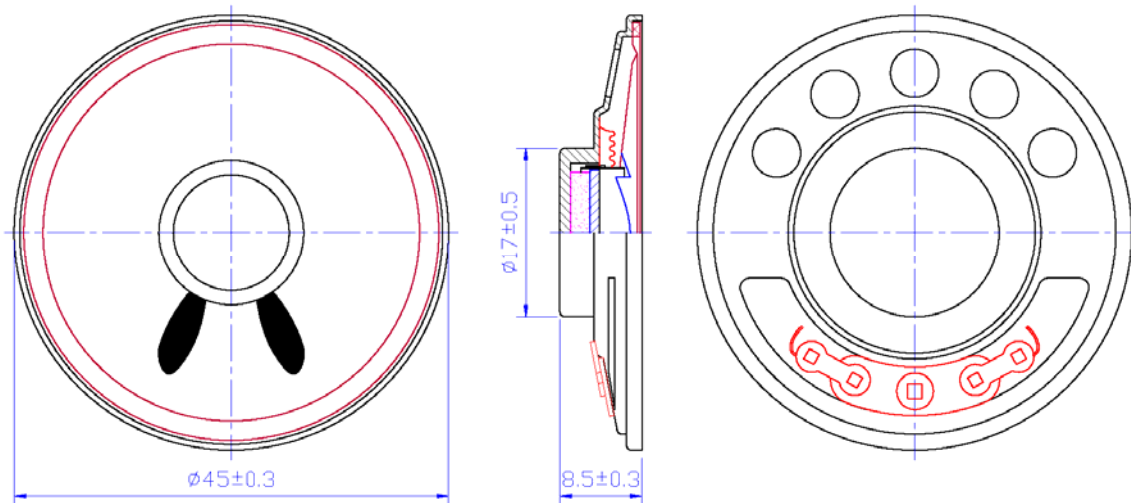
Rated Impedance	16+/-15% ohm (Other Rated Impedance is available.)
Rated Power	0.8 W
Max. Power	1.5 W
Resonant Frequency	600+/-20% Hz
Frequency Range	fo ~ 4,000 Hz
Sound Pressure Level	83+/-3 dB (Average of SPL values at 800, 1000, 1200 & 1500 Hz.) at 1w1m
Operating Temperature	-20 °C to +60 °C
Storage Temperature	-30 °C to +70 °C
Termination	2 soldering lugs, Sn plated Brass
Construction Materials	Metal
	Diaphragm
	Paper cone
Reliability	Must be normal at 3.58V(=0.8W) sine wave
	0.8W white noise for 96hrs
	no function at +70 +/-2 °C for 96 hours, function at +60+/-2 °C for 16 hours,
	no function at -30+/-2 °C for 96 hours, function at -20+/-2 °C for 16 hours,
	+40+/-2°C, 90 ~ 95% R.H. for 48hrs
	-20+/-2 °C, 30min→+20 °C,15min,→+60+/-2 °C, 30min→+20 °C,15min, 5 cycles
	1.5mm with 10 to 50Hz of vibration frequency to each of 3 perpendicular direction for 2 hrs
	350+/-5 °C iron put on soldering lugs for 3+/-1 seconds
	Soldering lugs are soldered by iron 350+/-5 °C for 3+/-0.5 seconds.
	For a period of one (1) year from date of manufacture under normal operations

Warranty

* All specifications must be satisfied after the test (Recovery:2 to 4 hrs of recovery under the standard condition after the removal from test chamber).

**90% min. soldering lugs shall be with solder.(except the edge of pad)

Dimensions (Unit: mm)



All specifications are subject to change without notice