

Description

Chinasound Loudspeaker 20mm width, 40mm length, Square ABS frame, 8.4mm height – 8 ohm rated impedance, NdFeB magnet, 1W rated power – Cloth edge, 600 Hz, – Connector 23#(Molex22-01-3037 or equal), Wire 110mm, RoHS compliant – 1(= with foam gasket)

◆ RoHS compliant

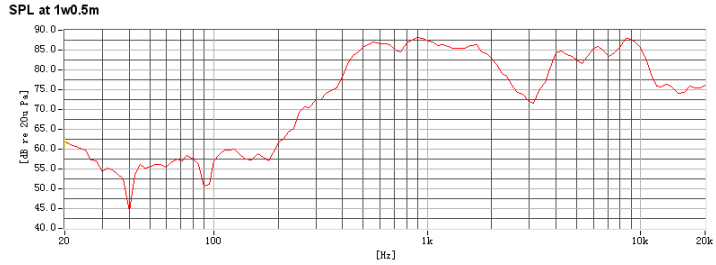
◆ Small Size with Low Rated Frequency

◆ Wide Frequency Range

Picture



Frequency Response Curve by sound check at 1W0.5m



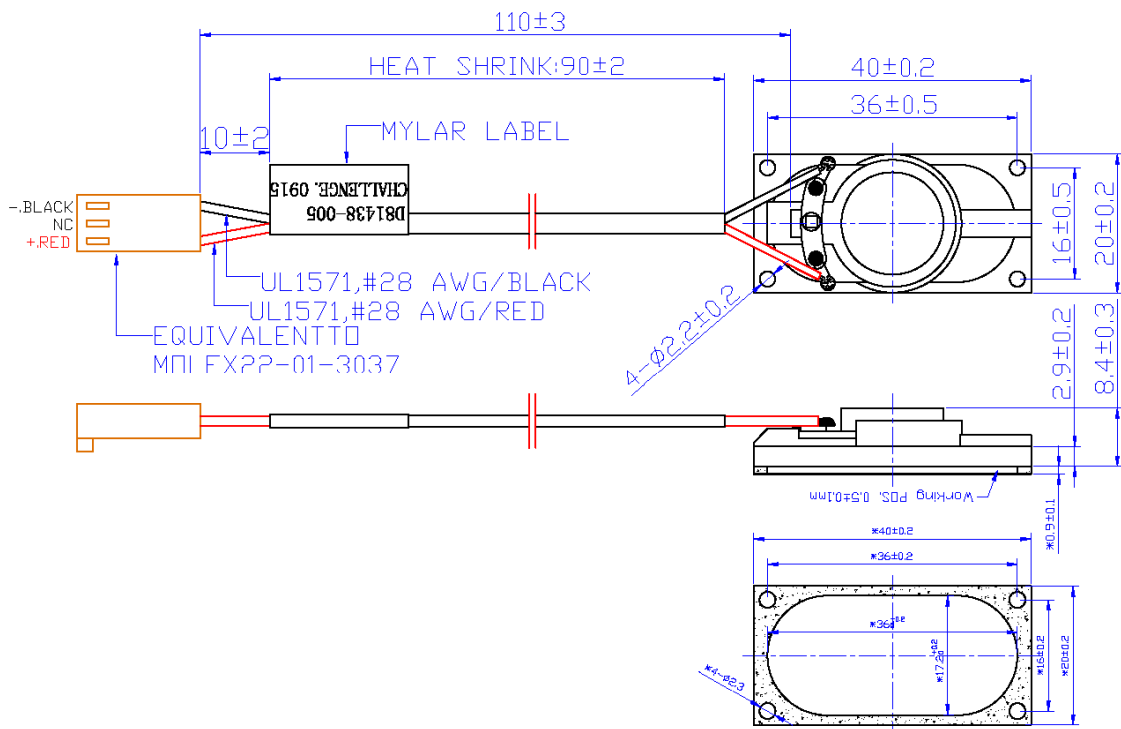
Specification

Rated Impedance	8+/-15% ohm
Rated Power	1 W
Max. Power	1.5 W
Resonant Frequency	600+/-20% Hz
Frequency Range	fo ~ 10,000 Hz
Sound Pressure Level	86+/-3 dB (Average of SPL values at 600, 800, 1000 & 1200 Hz.) at 0.5m1W
Operating Temperature	-10 °C to +60 °C
Storage Temperature	-20 °C to +70 °C
Termination	Connector
Construction Materials	Case Diaphragm
Weight (Typical)	7.1 g
Reliability	Must be normal at 2.83 V(=1W) sine wave 1W white noise for 96hrs no function at +70 +/-2 °C for 96 hours, function at +60+/-2 °C for 16 hours, no function at -20+/-2 °C for 96 hours, function at -10+/-2 °C for 16 hours, +40+/-2 °C, 90 ~ 95% R.H. for 48hrs -10+/-2 °C, 30min→+20 °C,15min,→+40+/-2 °C, 30min→+20 °C,15min, 5 cycles 1.5mm with 10 to 50Hz of vibration frequency to each of 3 perpendicular direction for 2 hrs For a period of one (1) year from date of manufacture under normal operations
	*Buzzes & Rattles
	*Load Test
	*High Temperature
	*Low Temperature
	*Humidity
	*Thermal Shock
	*Vibration

Warranty

* All specifications must be satisfied after the test (Recovery:2 to 4 hrs of recovery under the standard condition after the removal from test chamber).

Dimensions (Unit: mm)



All specifications are subject to change without notice

Composed by: Jack Guo/090425 Checked by: Lu Kangyuan, Gong Yongsheng & Zhu Yongchang/090425 Approved by: Wang Zhen/090425



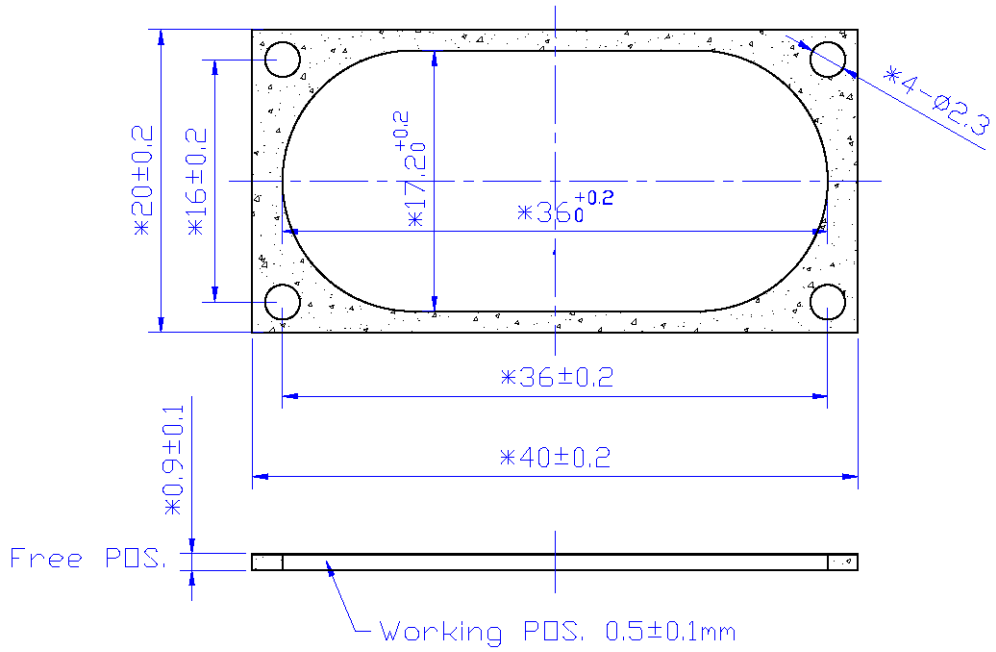
CHANGZHOU CHINASOUND ELECTRONICS CO., LTD.

Tel: +86-519-86182518 Fax: 86182519

http://www.chinasound.com

email: csound@jmail.com.cn

Accessory: Gasket 2040H0.9 (Unit: mm)



Revison History

Version Number	Description	Name
090406	Original	Jack Guo
090413	Add accessory gasket 2040H0.9	Jack Guo
090425	To adhere foam gasket on speaker, and change the PN from CLS2040SA8.4-8N1-C600-C23W110R to CLS2040SA8.4-8N1-C600-C23W110R-1.	Jack Guo