

Description

Chinasound Loudspeaker 20mm width, 40mm length, Square metal frame, 7.2mm height – 8 ohm rated impedance, NdFeB magnet, 1W rated power – cone with Cloth edge, 800 Hz, RoHS compliant

◆ RoHS compliant

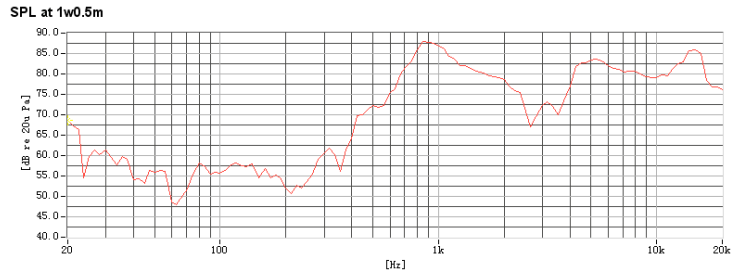
◆ Small Size with Low Rated Frequency

◆ Wide Frequency Range

Picture



Frequency Response Curve by SoundCheck at 1W0.5m



Specification

- Rated Impedance
- Rated Power
- Max. Power
- Resonant Frequency
- Frequency Range
- Sound Pressure Level
- Operating Temperature
- Storage Temperature
- Termination
- Construction Materials

- Description
- Case
- Diaphragm

- Weight (Typical)
- Reliability

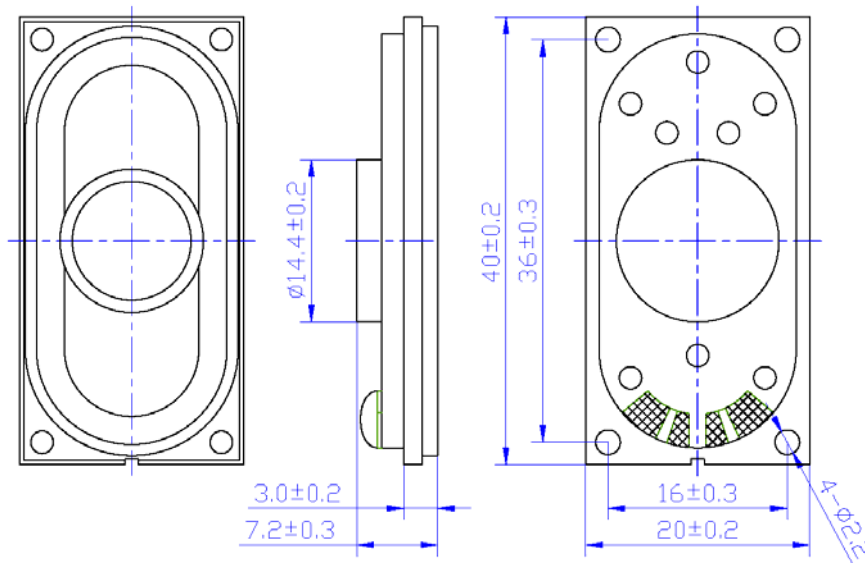
- *Buzzes & Rattles
- *Load Test
- *High Temperature
- *Low Temperature
- *Humidity
- *Thermal Shock
- *Vibration
- *Soldering Heat Resistance
- **Solderability

8+/-15% ohm
 1 W
 2 W
 800+/-20% Hz
 fo ~ 20,000 Hz
 78+/-3 dB (Average of SPL values at 800, 1000, 1200 & 1500 Hz.) at 1m1W
 -10°C to +60°C
 -20°C to +70°C
 PCB
 metal frame
 Paper cone with cloth edge
 7.7 g
 Must be normal at 2.83 V(=1W) sine wave
 1W white noise for 96hrs
 no function at +70 +/-2°C for 96 hours, function at +60+/-2°C for 16 hours,
 no function at -20+/-2°C for 96 hours, function at -10+/-2°C for 16 hours,
 +40+/-2°C, 90 ~ 95% R.H. for 48hrs
 -10+/-2°C, 30min→+20°C,15min,→+40+/-2°C, 30min→+20°C,15min, 5 cycles
 1.5mm with 10 to 50Hz of vibration frequency to each of 3 perpendicular direction for 2 hrs
 350+/-5°C iron put on terminal lugs for 3+/-1 seconds
 Lead terminals are immersed in rosin for 5 seconds and then immersed in solder bath of 350+/-5°C for 3+/-0.5 seconds.

Warranty

For a period of one (1) year from date of manufacture under normal operations
 * All specifications must be satisfied after the test (Recovery:2 to 4 hrs of recovery under the standard condition after the removal from test chamber).
 **90% min. soldering lugs shall be with solder.(except the edge of pad)

Dimensions (Unit: mm)



All specifications are subject to change without notice



CHANGZHOU CHINASOUND ELECTRONICS CO., LTD.

Tel: +86-519-86182518 Fax: 86182519

<http://www.chinasound.com>

email: csound@jsmail.com.cn