

**Description**

Chinasound Loudspeaker 20mm width, 40mm length, Square metal frame, 6.8mm height – 8 ohm rated impedance, NdFeB magnet, 1W rated power – cone with Cloth edge, 800 Hz, RoHS compliant –1 (PCB without solder added)

◆ RoHS compliant

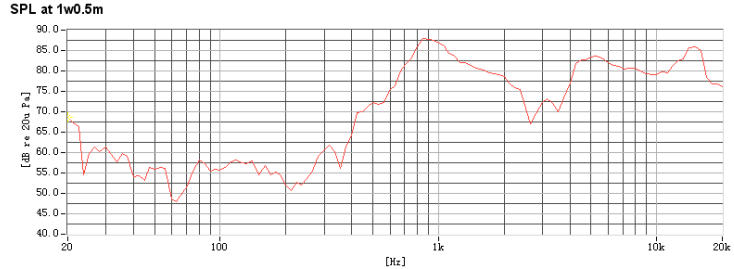
◆ Small Size with Low Rated Frequency

◆ Wide Frequency Range

**Picture**



**Frequency Response Curve** by SoundCheck at 1W0.5m



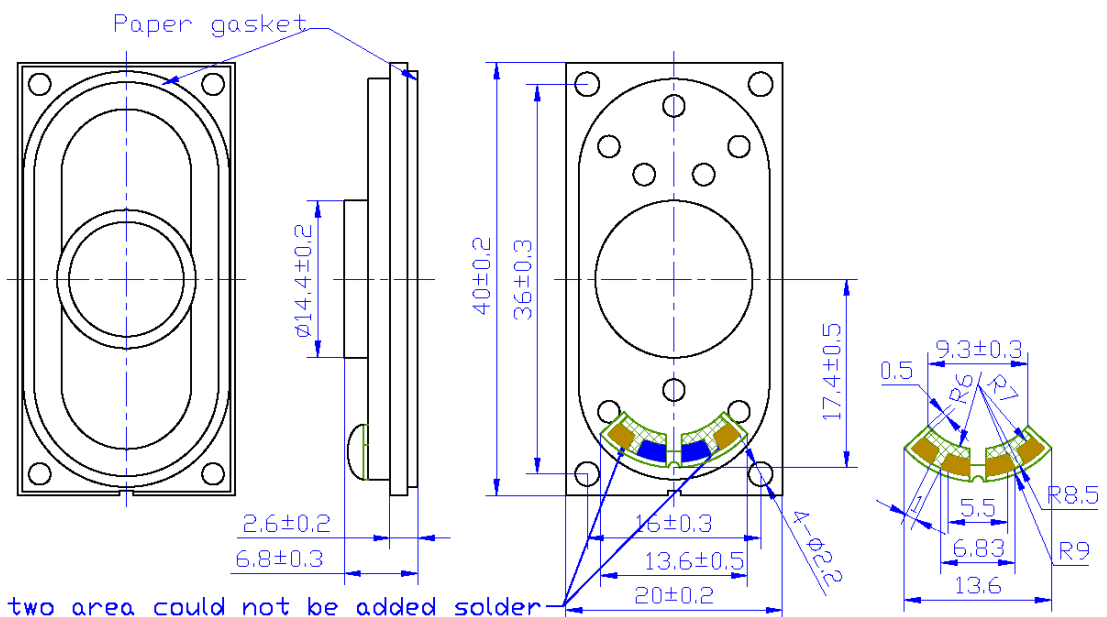
**Specification**

Rated Impedance	8+/-15% ohm
Rated Power	1 W
Max. Power	2 W
Resonant Frequency	800+/-20% Hz
Frequency Range	fo ~ 20,000 Hz
Sound Pressure Level	78+/-3 dB (Average of SPL values at 800, 1000, 1200 & 1500 Hz.) at 1m1W
Operating Temperature	-10°C to +60°C
Storage Temperature	-20°C to +70°C
Termination	PCB,gold plated
Construction Materials	Case Diaphragm
Weight (Typical)	7.7 g
Reliability	Must be normal at 2.83 V(=1W) sine wave 1W white noise for 96hrs no function at +70 +/-2°C for 96 hours, function at +60+/-2°C for 16 hours, no function at -20+/-2°C for 96 hours, function at -10+/-2°C for 16 hours, +40+/-2°C, 90 ~ 95% R.H. for 48hrs -10+/-2°C, 30min->+20°C,15min,->+40+/-2°C, 30min->+20°C,15min, 5 cycles 1.5mm with 10 to 50Hz of vibration frequency to each of 3 perpendicular direction for 2 hrs 350+/-5°C iron put on terminal lugs for 3+/-1 seconds Lead terminals are immersed in rosin for 5 seconds and then immersed in solder bath of 350+/-5°C for 3+/-0.5 seconds.
	**Solderability

**Warranty**

\* All specifications must be satisfied after the test (Recovery:2 to 4 hrs of recovery under the standard condition after the removal from test chamber).  
\*\*90% min. soldering lugs shall be with solder.(except the edge of pad)

**Dimensions ( Unit: mm )**



All specifications are subject to change without notice

Composed by: Jack Guo/090110 Checked by: Gong Yongsheng/090110 Approved by: Wang Zhen/090110



CHANGZHOU CHINASOUND ELECTRONICS CO., LTD.

Tel: +86-519-86182518 Fax: +86-519-86182519

http://www.chinasound.com email: csound@jstmail.com.cn

## Revision History

Version Number	Description	Name
080606	Original	Jack Guo
080620	Add note on PCB that two solder points for customer soldering could not be soldered	Jack Guo
081125	Change the total height from 7.2+/-0.3mm to 6.8+/-0.3mm	Jack Guo
081208	Define the PCB assembly place on frame precisely, customer will not solder wires on PCB, but use spring touch method to contact Speaker	Jack Guo
090110	Change the termination from "PCB" to "PCB, gold plated"	Jack Guo

Composed by: Jack Guo/090110 Checked by: Gong Yongsheng/090110 Approved by: Wang Zhen/090110

**ChinaSound**

**CHANGZHOU CHINASOUND ELECTRONICS CO., LTD.**

Tel: +86-519-86182518 Fax: +86-519-86182519

<http://www.chinasound.com> email: [csound@jsmail.com.cn](mailto:csound@jsmail.com.cn)