

Description

Chinasound Loudspeaker 20mm width, 40mm length, Square metal frame, 5.8mm height – 8 ohm rated impedance, NdFeB magnet, 1W rated power – cone with Cloth edge, 600 Hz – Connector 09#(Molex 51021-0200=A1251-2P), Wire 40mm, RoHS compliant

◆ RoHS compliant

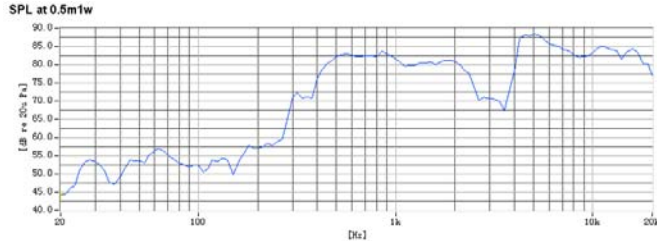
◆ Small Size with Low Rated Frequency

◆ Wide Frequency Range

Picture



Frequency Response Curve by SoundCheck at 0.5m1W



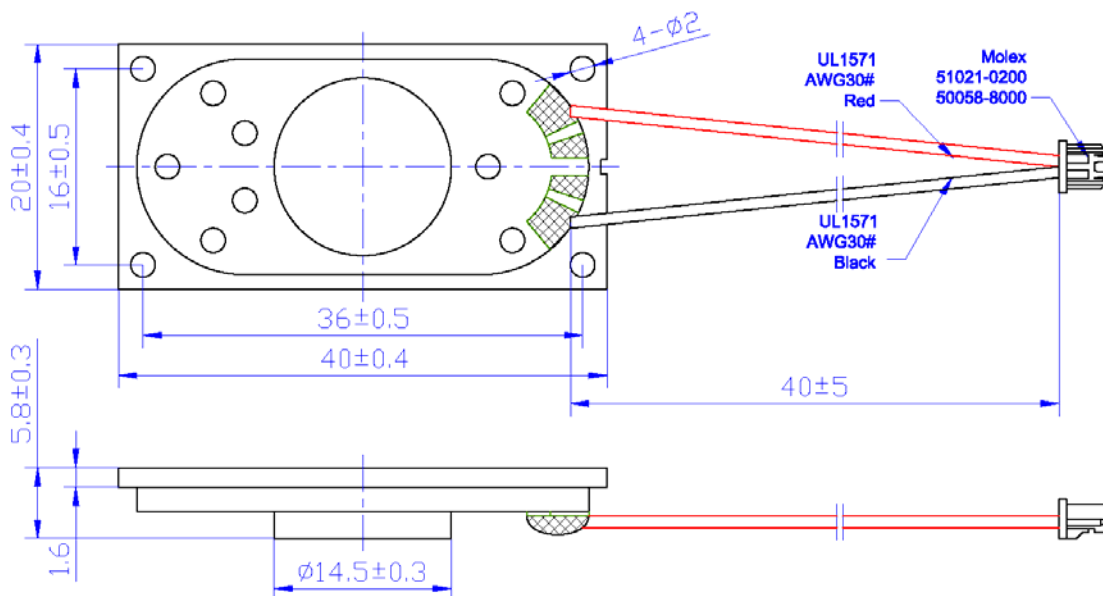
Specification

Rated Impedance	8+/-15% ohm
Rated Power	1 W
Max. Power	2 W
Resonant Frequency	600+/-20% Hz
Frequency Range	fo ~ 20,000 Hz
Sound Pressure Level	78+/-3 dB (Average of SPL values at 800, 1000, 1200 & 1500 Hz.) at 1m1W
Operating Temperature	-10 °C to +60 °C
Storage Temperature	-20 °C to +70 °C
Termination	1.25mm connector Molex 51021-0200 or A1251-2P, UL1571 AWG30# Wires, Red(+) & Black(-),40mm length
Construction Materials	Case Diaphragm
Weight (Typical)	7.1 g
Reliability	*Buzzes & Rattles *Load Test *High Temperature *Low Temperature *Humidity *Thermal Shock *Vibration *Soldering Heat Resistance **Solderability

Warranty

* All specifications must be satisfied after the test (Recovery:2 to 4 hrs of recovery under the standard condition after the removal from test chamber).
**90% min. soldering lugs shall be with solder.(except the edge of pad)

Dimensions (Unit: mm)



All specifications are subject to change without notice

Composed by: Lu Kangyuan/090202 Checked by: Gong Yongsheng/090202 Approved by: Wang Zhen/090202



CHANGZHOU CHINASOUND ELECTRONICS CO., LTD.

Tel: +86-519-86182518 Fax: 86182519

http://www.chinasound.com email: csound@jsmail.com.cn

Revisions History

Version Number	Description	Name
090110	Original, CLS2040S5.8-8N1-C600-C09W340R	Lu Kangyuan
090202	Changed wire length from 340mm to 40mm, PN changed from CLS2040S5.8-8N1-C600-C09W340R to CLS2040S5.8-8N1-C600-C09W40R as per instruction from customer on Jan.24, 2009	Lu Kangyuan

Composed by: Lu Kangyuan/090202 Checked by: Gong Yongsheng/090202 Approved by: Wang Zhen/090202

ChinaSound

CHANGZHOU CHINASOUND ELECTRONICS CO., LTD.

Tel: +86-519-86182518 Fax: 86182519

<http://www.chinasound.com> email: csound@jstmail.com.cn