

**CLS1525SA5.2-8N1-C700R**

**Description**

Chinasound Loudspeaker 15mm width, 25mm length, Square ABS frame, 5.2mm height – 8 ohm rated impedance, NdFeB magnet, 1W rated power – cone with Cloth edge, 700 Hz, RoHS compliant

◆ RoHS complaint

◆ Small Size with Low Rated Frequency

◆ Wide Frequency Range

**Picture**



**Frequency Response Curve**



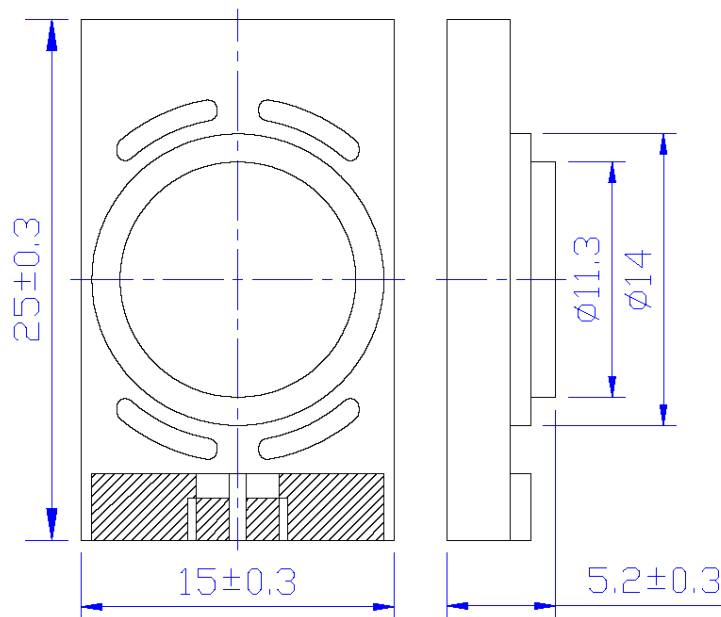
**Specification**

Rated Impedance	8+/-15% ohm
Rated Power	1 W
Max. Power	1.5 W
Resonant Frequency	700+/-20% Hz
Frequency Range	fo ~ 15,000 Hz
Sound Pressure Level	72+/-3 dB (Average of SPL values at 800, 1000, 1200 & 1500 Hz.) at 1m1W
Operating Temperature	-10°C to +60°C
Storage Temperature	-20°C to +70°C
Termination	PCB
Construction Materials	Case ABS frame Diaphragm Paper cone with cloth edge
Weight (Typical)	2.3 g
Reliability	*Buzzes & Rattles Must be normal at 2.83 V(=1W) sine wave *Load Test 1W white noise for 96hrs *High Temperature no function at +70 +/-2°C for 96 hours, function at +60+/-2°C for 16 hours, *Low Temperature no function at -20+/-2°C for 96 hours, function at -10+/-2°C for 16 hours, *Humidity +40+/-2°C, 90 ~ 95% R.H. for 48hrs *Thermal Shock -10+/-2°C, 30min→+20°C,15min,→+40+/-2°C, 30min→+20°C,15min, 5 cycles *Vibration 1.5mm with 10 to 50Hz of vibration frequency to each of 3 perpendicular direction for 2 hrs *Soldering Heat Resistance 350+/-5°C iron put on PCB for 3+/-1 seconds **Solderability PCB is soldered by iron at 350+/-5°C for 3+/-0.5 seconds.

**Warranty**

For a period of one (1) year from date of manufacture under normal operations  
\* All specifications must be satisfied after the test (Recovery:2 to 4 hrs of recovery under the standard condition after the removal from test chamber).  
\*\*90% min. soldering lugs shall be with solder.(except the edge of pad)

**Dimensions ( Unit: mm )**



All specifications are subject to change without notice