

Description

Chinasound Loudspeaker 14mm width, 20mm length, Square PBT GF20 frame, 4mm height – 8 ohm rated impedance, NdFeB magnet, 0.5W rated power – Type 2, Transparent Mylar cone, 900 Hz resonant frequency, Spring terminal, RoHS compliant

◆ RoHS compliant

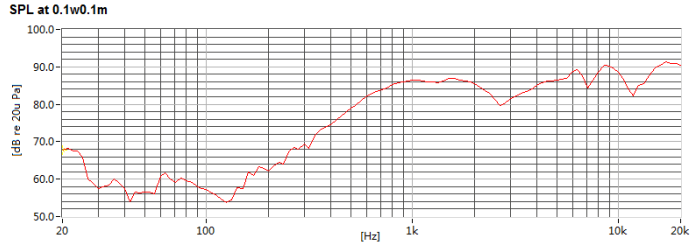
◆ Small Size with Low Rated Frequency

◆ Wide Frequency Range

Picture



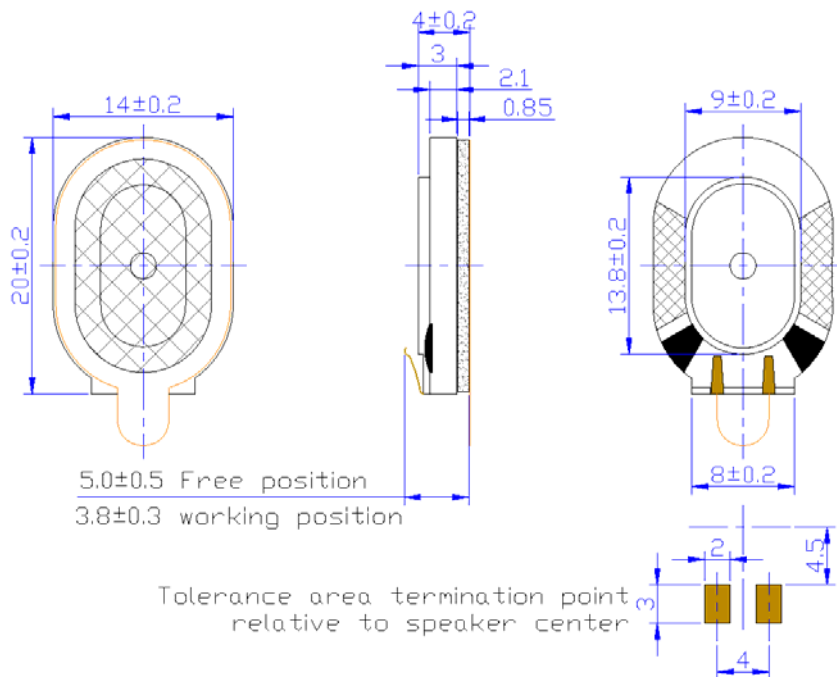
Frequency Response Curve by SoundCheck at 0.1W 0.1m



Specification

Rated Impedance	8+/-15% ohm
Rated Power	0.5 W
Max. Power	1 W
Resonant Frequency	900+/-20% Hz
Frequency Range	fo ~ 10,000 Hz
Sound Pressure Level	87+/-3 dB (Average of SPL values at 1,000, 1,200, 1,500 & 2000 Hz.) at 0.1W 0.1m
Operating Temperature	-20 °C to +60 °C
Storage Temperature	-30 °C to +70 °C
Termination	Spring contact, Gold plated Brass
Construction Materials	Case Diaphragm
Weight (Typical)	1.4 g
Reliability	Must be normal at 2 V(=0.5W) sine wave 0.5W white noise for 96hrs no function at +70 +/-2 °C for 96 hours, function at +60+/-2 °C for 16 hours, no function at -30+/-2 °C for 96 hours, function at -20+/-2 °C for 16 hours, +40+/-2 °C, 90 ~ 95% R.H. for 48hrs -20+/-2 °C, 30min→+20 °C,15min,→+60+/-2 °C, 30min→+20 °C,15min, 5 cycles 1.5mm with 10 to 50Hz of vibration frequency to each of 3 perpendicular direction for 2 hrs For a period of one (1) year from date of manufacture under normal operations
Warranty	* All specifications must be satisfied after the test (Recovery:2 to 4 hrs of recovery under the standard condition after the removal from test chamber).

Dimensions (Unit: mm)



All specifications are subject to change without notice

Composed by: Guo J/100519 Checked by: Gong YS, Zhu YC/100519 Approved by: Wang Z/100519



CHANGZHOU CHINASOUND ELECTRONICS CO., LTD.

Tel: +86-519-86182518 Fax: +86-519-86182519

http://www.chinasound.com email: csound@jsmail.com.cn

Revisions History

Version Number	Description	Name
100519	Original, CLS1420SB4-8N0.5-2T900SR	Guo Jun

Composed by: Guo J/100519 Checked by: Gong YS, Zhu YC/100519 Approved by: Wang Z/100519

ChinaSound

CHANGZHOU CHINASOUND ELECTRONICS CO., LTD.

Tel: +86-519-86182518 Fax: +86-519-86182519
<http://www.chinasound.com> email: csound@jstmail.com.cn