

Description

Chinasound Electro-magnetic Buzzer 9.6m diameter, type B(=5mm height), 5VDC rated voltage – 2.7KHz resonant frequency, RoHS compliant

◆ RoHS compliant

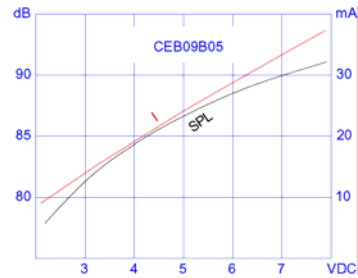
◆ Small size

◆ Flame Retardant Plastic

Picture



Characteristics



Specification

Rated Voltage	5 VDC
Operating Voltage	4 ~ 7 VDC
Rated Current	30 mA max. at 5 VDC
Sound Output	83dB min. at 5 VDC, 10cm
Operating Frequency	2700+/-300Hz
Operating Temperature	-30 °C to +85 °C
Storage Temperature	-40 °C to +90 °C
Termination	2 soldering pins, Sn plated Brass
Construction Materials	<p>Description</p> <p>Termination Strength</p> <p>Case</p> <p>Diaphragm</p>
Weight (Typical)	0.9 g
Reliability	<p>*Life Test</p> <p>*High Temperature</p> <p>*Low Temperature</p> <p>*Humidity</p> <p>*Thermal Shock</p> <p>*Vibration</p> <p>*Shock</p> <p>*Drop Test</p> <p>*Soldering Heat Resistance</p> <p>**Solderability</p>

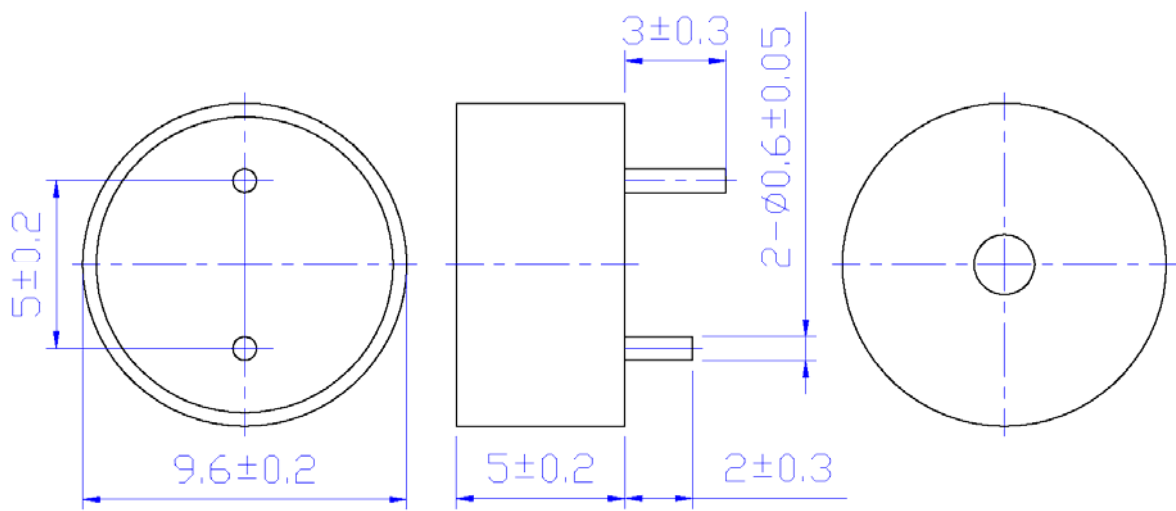
Maximum of 9.8N load pull test, applied to each terminal in axial direction for 10 seconds
 Plastic, Noryl PX9406 (Black) made by GE Plastics, UL 94-V0 (UL No.: E207780)
 Ni Alloy Disc N50

At 5 VDC in room temperature continuously for 1000 hours
 no function at +90+/-2 °C for 96 hours, function at +85+/-2 °C for 96 hours,
 no function at -40+/-2 °C for 96 hours, function at -30+/-2 °C for 96 hours,
 25+/-2 °C, 90-95%RH, 5hr→up to 55+/-2 °C, 90-95%RH, 0.5hr →55+/-2 °C, 90-95%RH,
 5hr→down to 25+/-2 °C, 90-95%RH, 0.5hr, 10 cycles
 -40+/-2 °C, 30min→+20 °C,15min,→+85+/-2 °C, 30min→+20 °C,15min, 5 cycles
 1.5mm with 10 to 50Hz of vibration frequency to each of 3 perpendicular direction for 2 hrs
 98m/s² (=10g) shock for each mutually perpendicular directions, half sine wave, 3 times each
 Dropped naturally from 750mm height onto the surface of 10mm wooden board.
 2 directions – upper and side of the part are applied
 Pins are immersed up to 1.5mm from sounder's body in solder bath of 350+/-5 °C for 3+/-0.5 seconds
 Lead terminals are immersed in rosin for 5 seconds and then immersed in solder bath of 350+/-5 °C for 3+/-0.5 seconds.

Warranty

* All specifications must be satisfied after the test (Recovery:2 to 4 hrs of recovery under the standard condition after the removal from test chamber).
 **90% min. soldering pads shall be with solder.(except the edge of pad)

Dimensions (Unit: mm)



All specifications are subject to change without notice

Composed by: Guo J/060906 Checked by: Gong YS, Zhu YC/060906 Approved by: Wang Z/060906



CHANGZHOU CHINASOUND ELECTRONICS CO., LTD.

Tel: +86-519-86182518 Fax: 86182519

<http://www.chinasound.com>

email: csound@jsmail.com.cn

Revisions History

Version Number	Description	Name
021024	Original, CEB09B05-2.7	Guo Jun
060906	Switched to RoHS compliant CEB09B05-2.7R	Guo Jun

Composed by: Guo J/060906 Checked by: Gong YS, Zhu YC/060906 Approved by: Wang Z/060906

ChinaSound

CHANGZHOU CHINASOUND ELECTRONICS CO., LTD.

Tel: +86-519-86182518 Fax: 86182519

<http://www.chinasound.com>
email: csound@jmail.com.cn